

OPERATOR'S MANUAL

KUBOTA ROTARY MOWER

MODELS RC54-71B
RC60-71B



G-3568

READ AND SAVE THIS BOOK

Kubota



SAFE OPERATION

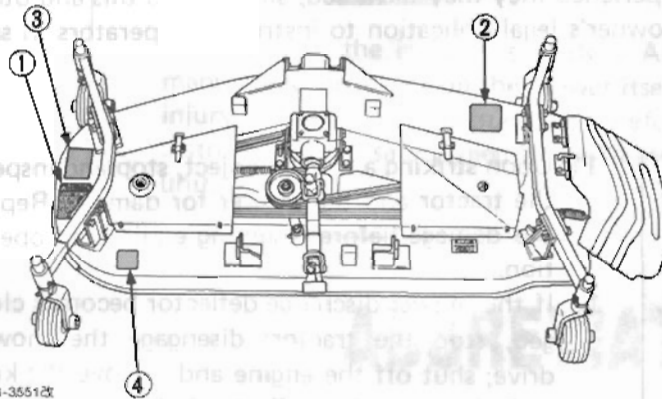
Careful operation is your best insurance against an accident. Read this section carefully before operating the mower. All operators, no matter how much experience they may have had, should read this and other related manuals before operating mower. It is the owner's legal obligation to instruct all operators in safe operation.

1. Keep bystanders at a safe distance from the machine during mowing operations.
2. Prior to mowing operations, clear area to be mowed of all objects which might be picked up and thrown by the mower. Mow only in daylight or in good artificial light.
3. Do not wear loose clothing while operating the mower. Loose clothing could become entangled in moving parts, causing personal injury.
4. Do not stand on the mower.
5. Before dismounting the tractor:
 - a) Shut off the engine,
 - b) remove the key,
 - c) set the parking brake,
 - d) allow the blades to stop.
6. Tighten all hardware securely before operating the mower.
7. Read and understand this manual and the tractor operator's manual before operating mower. Allow only a properly trained person to operate the tractor.
8. Before starting the engine, disengage the MID PTO and shift the tractor transmission into neutral.
9. Hillside operation is dangerous and is not recommended. If it is necessary to mow on a hillside, use extreme caution. Never mow across the face of a slope.
10. While making turns in rough terrain, reduce tractor speed.
11. Upon striking a foreign object, stop and inspect the tractor and the mower for damage. Repair the damage before resuming equipment operation.
12. If the mower discharge deflector becomes clogged, stop the tractor; disengage the mower drive; shut off the engine and remove the key, and clean out the deflector before continuing.
13. Know how to stop the mower and engine quickly. Be prepared for any emergency situation.
14. When mowing in rough terrain or in tall grass, set the mower at the highest cutting level to reduce the possibility of the mower striking debris or hidden objects.
15. Know what is behind you and disengage power to mower before backing up. Do not mow while in reverse unless absolutely necessary and then only after observation of the entire area behind the mower. Be extra careful of children.
16. Do not operate the mower without all shields and guards in place.
17. KUBOTA recommends the use of ROPS and seat belt in almost all applications. Always use seat belt when the tractor is equipped with a ROPS. Never use the seat belt when the tractor is not equipped with a ROPS.
18. Never attempt to make adjustment or repairs of any kind while the tractor and mower are running. Shut off the engine, remove the key and allow the blades to stop.
19. Replace damaged or illegible safety decals. See next page for required labels.
20. When using rear PTO, remove the universal joint from mid PTO shaft.

1. When using rear PTO, remove universal joint from mid PTO shaft.
2. After attaching universal joint to mid P.T.O. shaft. Release the locking coupler and sharply pull on the drive shaft end.
It should seat and lock rigidly to the tractor mid P.T.O. shaft.

MOWER SAFETY LABELS

LABEL ① Part No. 70720-4715-4



G-35512z

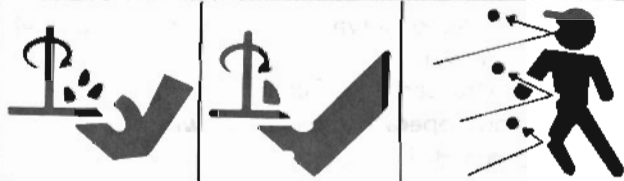
CAUTION

1. Keep all shields in place.
2. Stop engine and wait until blade stops before leaving operator position.
3. Keep hands, feet and clothing away from all moving or rotating parts.
4. Make sure area of operation is clear of all persons and foreign objects.
5. Stop mower blades when crossing gravel drives, walks or roads.

70720-47154

LABEL ② Part No. 66071-6178-1

DANGER



1. STAY CLEAR OF DISCHARGE OPENING AT ALL TIMES.
2. DO NOT PUT HANDS OR FEET INTO MOWER WHEN ENGINE IS RUNNING.
3. DO NOT OPERATE MOWER WITHOUT DISCHARGE DEFLECTOR.

66071-61781

LABEL ③ Part No. 66071-6179-1

DANGER



DO NOT PUT HANDS OR FEET INTO MOWER WHEN ENGINE IS RUNNING.

66071-61791

LABEL ④ Part No. 76539-6126-1

CAUTION

1. When using rear PTO, remove universal joint from mid PTO shaft.
2. After attaching universal joint to mid P.T.O shaft. Release the locking coupler and sharply pull on the drive shaft end.
It should seat and lock rigidly to the tractor mid P.T.O shaft.

76539-61261

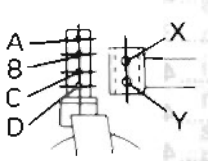
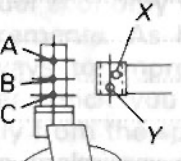
CARE OF SAFETY SIGNS

- (1) Keep safety signs clean and free from obstructing material.
- (2) Clean safety signs with soap and water followed by drying with cloth.
- (3) Replace damaged or missing safety signs with new safety signs from your KUBOTA dealer.
- (4) If a component with safety sign(s) affixed is replaced with new part, make sure new safety sign(s) are attached in same location as replaced component.
- (5) Mount new safety signs by applying on clean dry surface and press any bubbles to outside edge.

1. FOREWORD IMPORTANT

To obtain maximum productivity from your mower, the following items should be read and observed.

- Adjust four wheels according to desired mowing height. Refer to the chart below.

CUTTING HEIGHT		
	Left hand rear wheel	the other wheels
1½ in.	C-X	C-X
2 in.	D-Y	C-Y
2½ in.	B-X	B-X
3 in.	C-Y	B-Y
3½ in.	A-X	A-X
4 in.	B-Y	A-Y

- Use the high mid PTO speed.



CAUTION

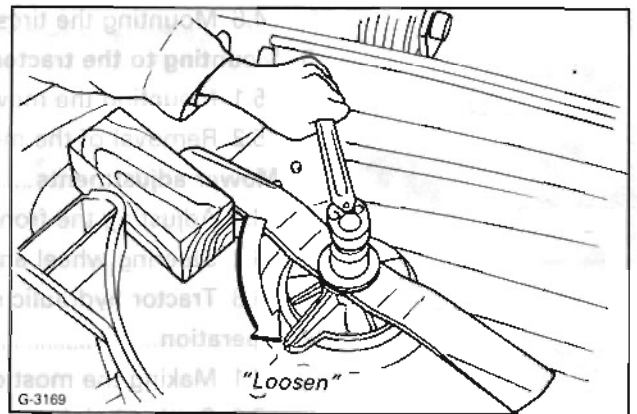
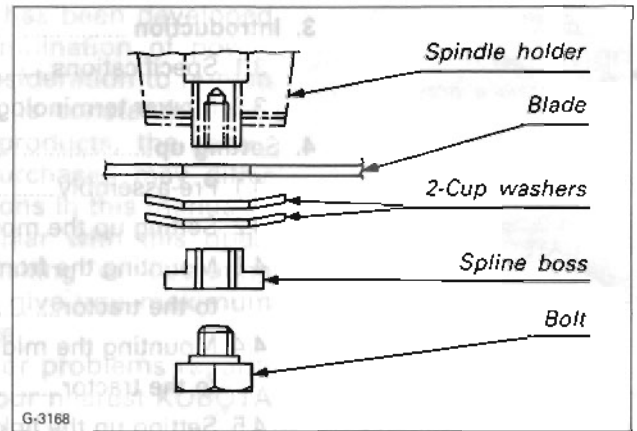
- Do not exceed recommended PTO speeds.

- Before attaching the connecting rod, the length (L) of the connecting rod is approximately as shown on the chart below (Read item 4.5 on page 7).

Model	CONNECTING ROD (L)
RC54-71B	24.4in. (620mm)
RC60-71B	24.8in. (630mm)

- Grease the following parts every 50 hours:
 - Universal Joint
 - Gauge Wheels (Front, Rear)
 - Three Spindle Cases
 - Belt Tension Pivot and Tension Pulley.
- Remove the belt shield from the mower deck and clean out debris every day.

- When replacing the blades, follow the instructions as shown below. (Read item 8.3 on page 17.)



CONTENTS

Part No. 70720-4716-4

1. Foreword	1
2. Service	2
3. Introduction	2
3.1 Specifications.....	2
3.2 Mower terminology.....	3
4. Setting up	4
4.1 Pre-assembly.....	4
4.2 Setting up the mower.....	4
4.3 Mounting the front hanger brackets to the tractor.....	5
4.4 Mounting the mid and rear hanger brackets to the tractor.....	6
4.5 Setting up the links.....	7
4.6 Mounting the tires to the tractor.....	8
5. Mounting to the tractor	9
5.1 Mounting the mower to the tractor.....	9
5.2 Removal of the mower.....	10
6. Mower adjustments	11
6.1 Adjusting the front link and connecting rod.....	11
6.2 Steering wheel angle adjustment.....	12
6.3 Tractor hydraulic stop adjustment.....	12
7. Operation	13
7.1 Making the most of your mower.....	13
7.2 Cutting height.....	13
7.3 Operating mower.....	13
7.4 Gauge wheel stay adjustment.....	14
7.5 Using 3 point hitch implements.....	14
8. Maintenance	15
8.1 Maintenance check list.....	15
8.2 Check and maintenance.....	15
8.3 Blade replacement.....	16
8.4 Belt replacement.....	17
8.5 Tightening torque chart.....	18
9. Troubleshooting	19
10. Long-term storage	20
10.1 Winter storage.....	20

LABEL ② Part No. 70721

LABEL ③ Part No. 70539-612

CAUTION

1. When using rear universal joint from tractor, make sure it is properly secured to the tractor mid P.T.O. shaft.
2. After attaching universal joint to mid P.T.O. shaft. Release the locking coupler and sharply pull on the drive shaft end. It should seat and lock rigidly to the tractor mid P.T.O. shaft.

70539-612-01

- (4) If a component with safety sign(s) affixed is replaced with new part, make sure new safety sign(s) are attached in same location as replaced component.
- (5) Mount new safety signs by applying on clean dry surface and press any bubbles to outside edge.

1. FOREWORD

2. SERVICE



Thank you for your purchase of a new KUBOTA Rotary Mower.

This new KUBOTA Mower has been developed to utilize the optimum combination of power and fuel economy with consideration to human requirements. As KUBOTA is constantly seeking ways to improve its products, the rotary mower which you have purchased may differ slightly from the specifications in this manual. Please make yourself familiar with this operator's manual before installing or operating your mower so that it will give you maximum service life and performance.

If you have any questions or problems regarding your mower, contact your nearest KUBOTA dealer.

Deck

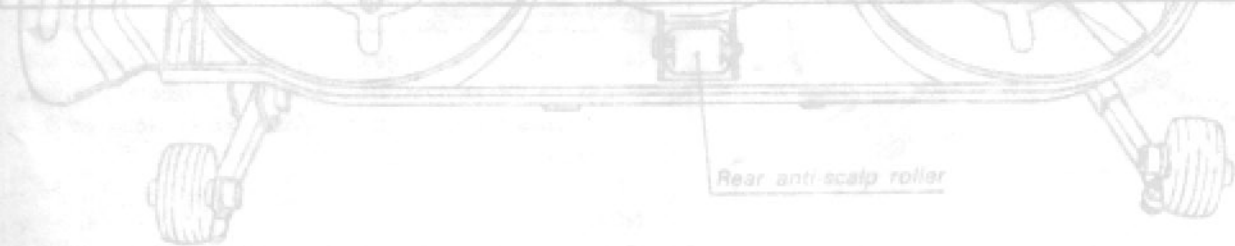
Universal joint

Discharge deflector

3. INTRODUCTION

3.1 SPECIFICATIONS

Model	RC60-718	RC64-718	RC68-718
Dimensions			
Total height	41.7 in. (1060 mm)	39.7 in. (1008 mm)	39.7 in. (1008 mm)
Total width	54 in. (1381 mm)	50.2 in. (1276 mm)	50.2 in. (1276 mm)
Total height	13.8 in. (349 mm)		
Number of blades	3	3	3
Blade length	20.8 in. (528 mm)	18.7 in. (475 mm)	18.7 in. (475 mm)
Blade velocity	18800 rpm (18.7 m/s)	17000 rpm (16.0 m/s)	17000 rpm (16.0 m/s)
Blade spindle speed	5975 rpm (57.9 rev)	5278 rpm (51.8 rev)	5278 rpm (51.8 rev)
Deck thickness	0.14 in. (3.6 mm)	0.158 in. (3.9 mm)	0.158 in. (3.9 mm)
Weight (approx)	371 lbs. (168 kg)	357 lbs. (162 kg)	357 lbs. (162 kg)
Cutting height	1.8 to 4.0 in. (48 to 102 mm)	1.8 to 4.0 in. (48 to 102 mm)	1.8 to 4.0 in. (48 to 102 mm)
Cutting width	60 in. (1524 mm)	60 in. (1524 mm)	60 in. (1524 mm)
Adjustment of cutting height	Parallel linkage	Parallel linkage	Parallel linkage
Mounting method	Gauge wheel	Gauge wheel	Gauge wheel
Suitable tractor	B7100HST	B7100HST	B7100HST
Model	RC60-718	RC64-718	RC68-718



Rear anti-scalp roller

2. SERVICE

- (1) When in need of parts or of service, give the serial number of the mower to the dealer.
- (2) The serial number is located on the right side of the deck.
- (3) For your reference, please record the serial number in the space provided.

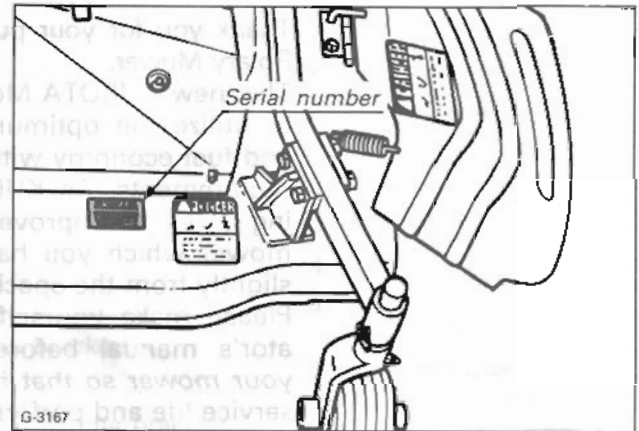
KUBOTA MOWER

MODEL

SERIAL NUMBER

DATE OF PURCHASE

NAME OF DEALER

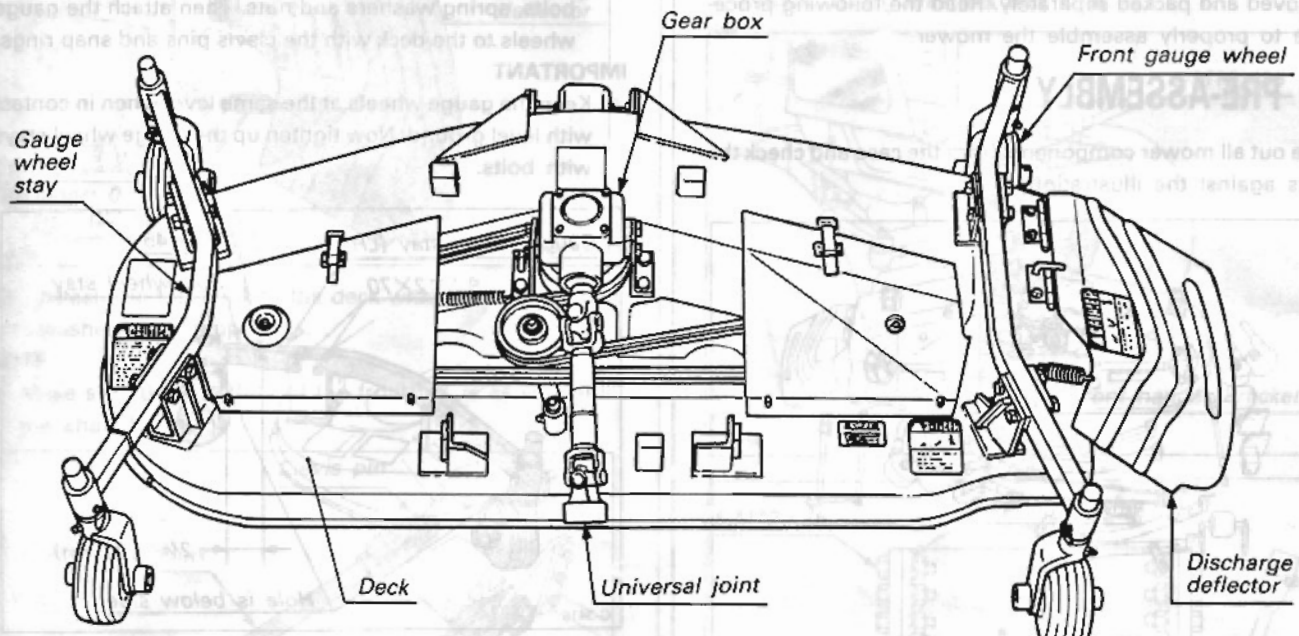


3. INTRODUCTION

3.1 SPECIFICATIONS

Model	RC54-71B	RC60-71B	
Suitable tractor		B7100HST	
Mounting method		Parallel linkage	
Adjustment of cutting height		Gauge wheel	
Cutting width	54 in. (1372 mm)	60 in. (1524mm)	
Cutting height	1.5 to 4.0 in. (38 to 102 mm)		
Weight (Approx.)	327 lbs. (148 kg)	371 lbs. (168 kg)	
Deck thickness	0.125 in. (3.2 mm)	0.14 in. (3.6 mm)	
Blade spindle speed	3216 rpm (53.6 r/s)	2875 rpm (47.9 r/s)	
Blade tip velocity	15740 fpm (80.0 m/s)	15500 fpm (78.7 m/s)	
Blade length	18.7 in. (475 mm)	20.6 in. (523 mm)	
Number of blades	3		
Dimensions	Total length	39.7 in. (1008 mm)	41.7 in. (1060 mm)
	Total width	69.2 in. (1758 mm)	74 in. (1881 mm)
	Total height	13.6 in. (345 mm)	

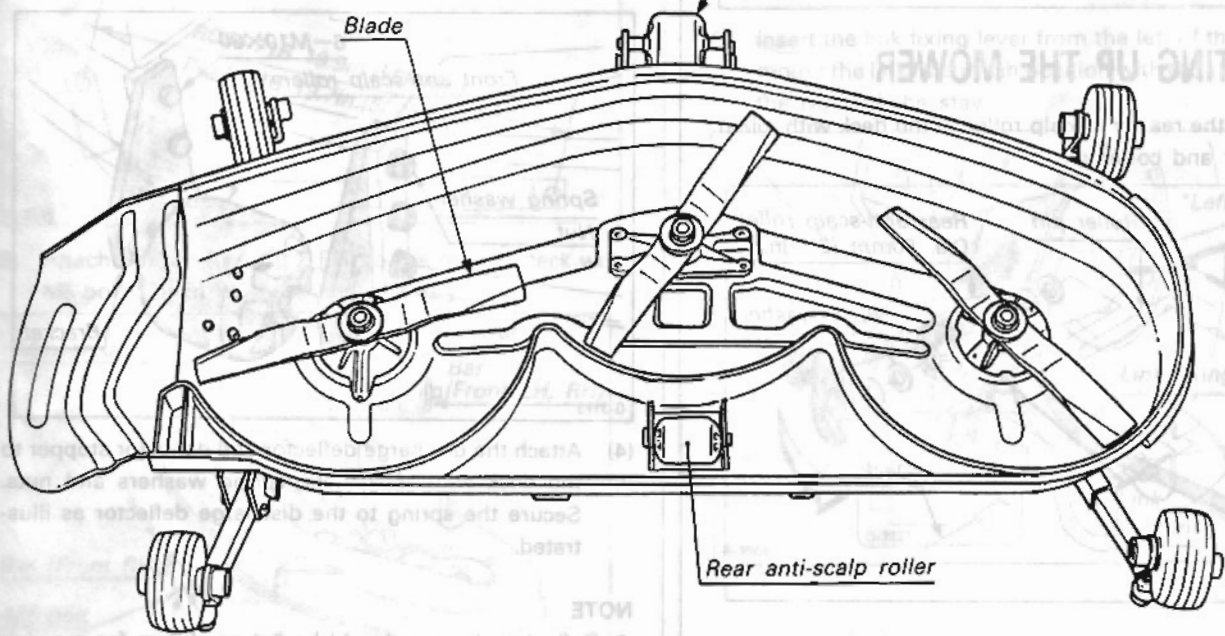
3.2 MOWER TERMINOLOGY



G-35512z

Attach the discharge deflector to the deck with M10 bolts and nuts. At this time, the left hand rear gauge wheel can be rotated. Refer to P14 (7A).

Attach the front gauge wheel to the gauge wheel stay (LH) with M12X70 bolt, M12X48 bolt, spring washers and cotter pins. At this time, the left hand rear gauge wheel can be rotated.



G-3552

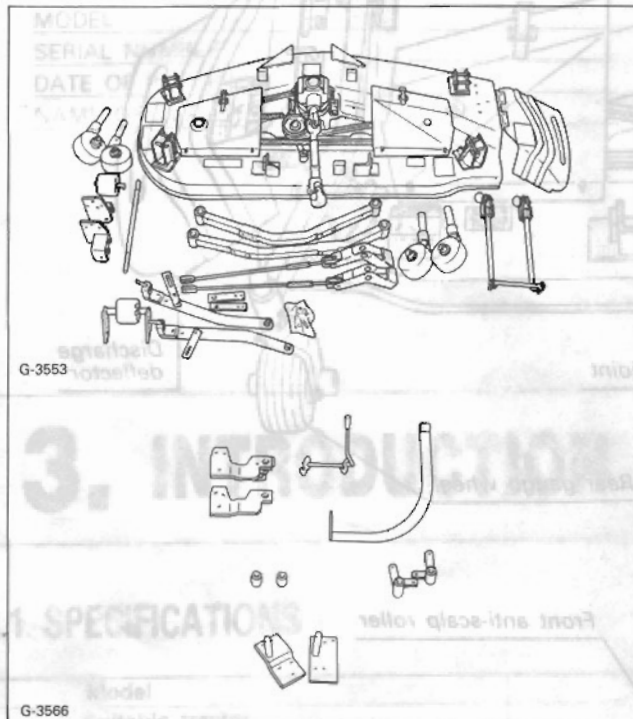
NOTE
 Deflector stopper should be set as shown for the
 preferred set-up.

4. SETTING UP

When this Mower was shipped, some of the parts were removed and packed separately. Read the following procedure to properly assemble the mower.

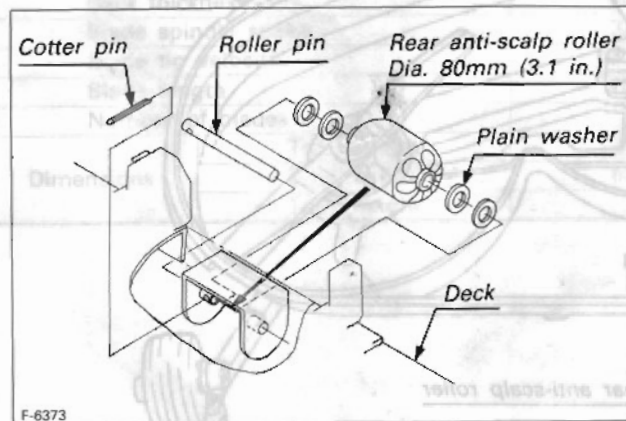
4.1 PRE-ASSEMBLY

Take out all mower components from the case and check the parts against the illustration.



4.2 SETTING UP THE MOWER

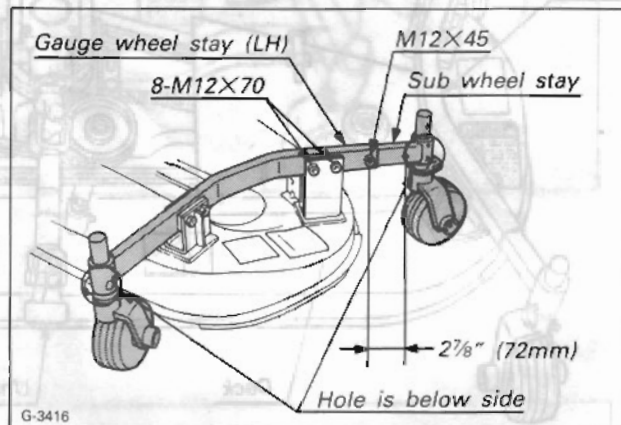
- (1) Attach the rear anti-scalp roller to the deck with, plain washer and cotter pin.



- (2) Attach the gauge wheel stays to the deck with M12 bolts, spring washers and nuts. Then attach the gauge wheels to the deck with the clevis pins and snap rings.

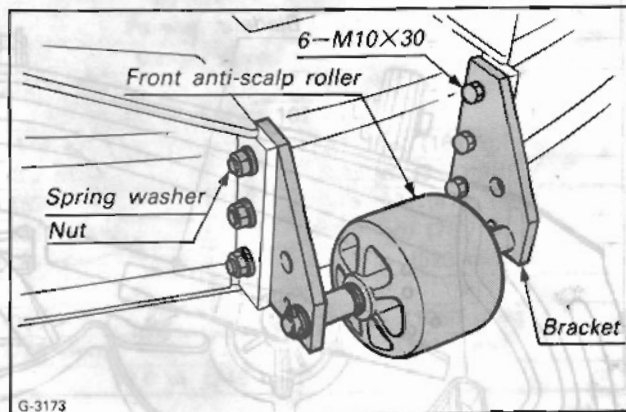
IMPORTANT

- Keep the gauge wheels at the same level when in contact with level ground. Now tighten up the gauge wheel stays with bolts.



- Attach the sub wheel stay to the gauge wheel stay (LH) with M12X70 bolt, M12X45 bolt, spring washers and nuts as illustrated.
- At this time, The left hand rear gauge wheel can be rotated.
[Refer to P14 (7.4)]

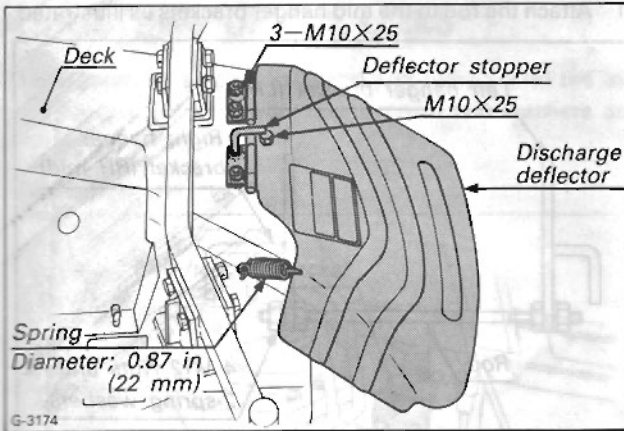
- (3) Attach the bracket to the deck with M10 bolts, spring washers and nuts.



- (4) Attach the discharge deflector and deflector stopper to the deck with M10 bolts, spring washers and nuts. Secure the spring to the discharge deflector as illustrated.

NOTE

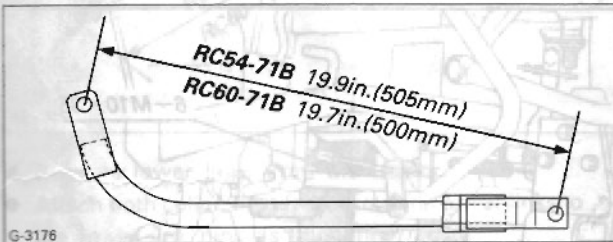
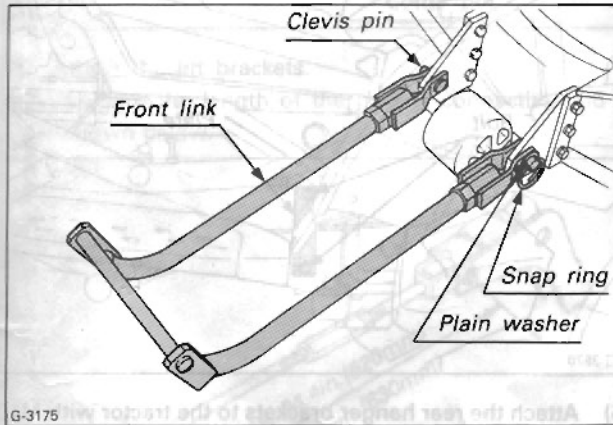
- Deflector stopper should be set as shown for mowing operation.



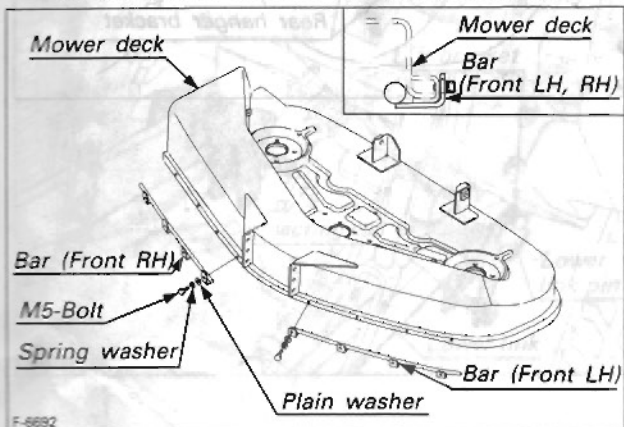
(5) Attach the front link to the deck with clevis pins, plain washers and snap rings.

NOTE

- Make sure the length(L) of the front link is as shown in the chart below.

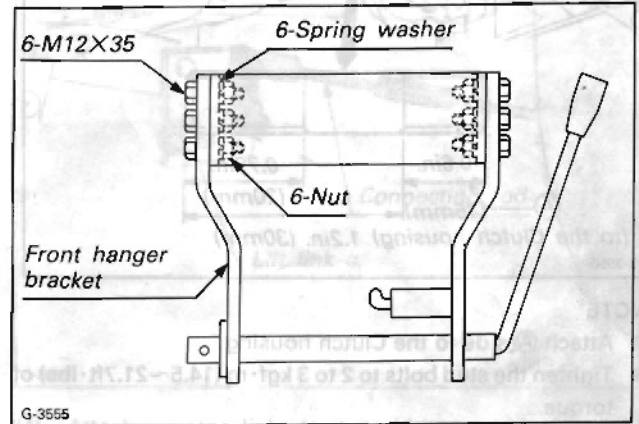
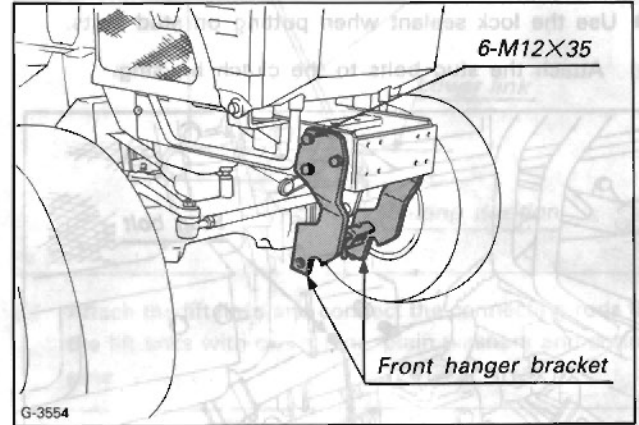


(6) Attach the bar (front LH, RH) to the mower deck with M5-bolts, plain washers and spring washers.

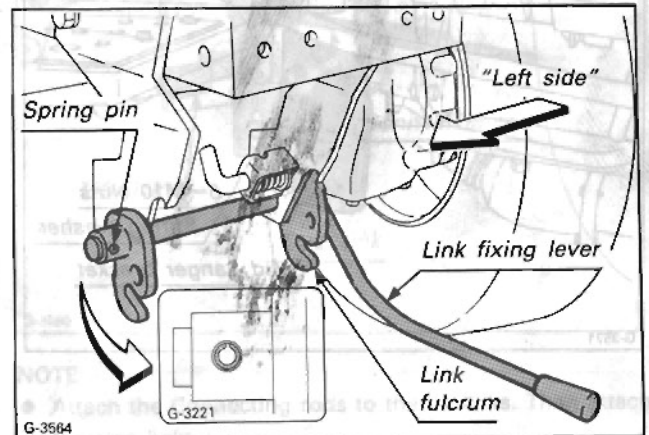


4.3 MOUNTING THE FRONT HANGER BRACKETS TO THE TRACTOR

(1) Attach the front hanger brackets to the tractor with M12 bolts, spring washers and nuts.



(2) Insert the link fixing lever from the left of the stay and mount the link fulcrum in position with the spring pin at the right of the stay.

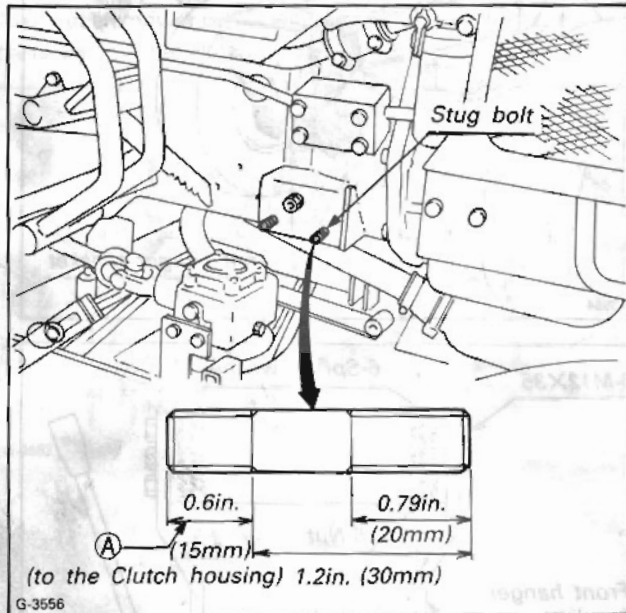


4.4 MOUNTING THE MID AND REAR HANGER BRACKETS TO THE TRACTOR

NOTE

- Use the lock sealant when putting on stud bolts.

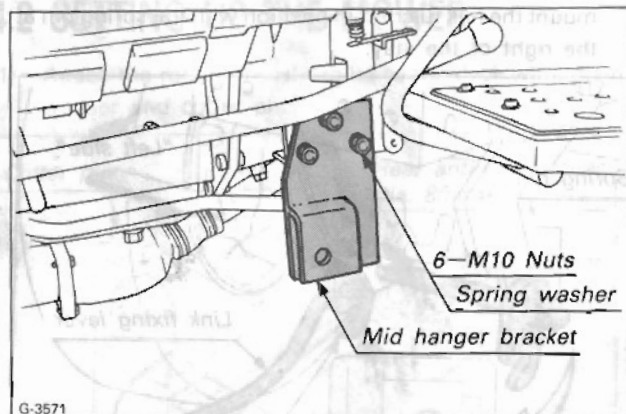
- (1) Attach the stud bolts to the clutch housing.



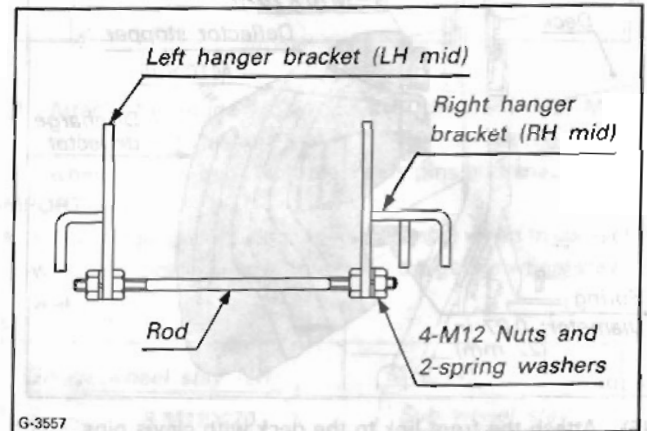
NOTE

- Attach (A) side to the Clutch housing.
- Tighten the stud bolts to 2 to 3 kgf·m (14.5~21.7ft·lbs) of torque.

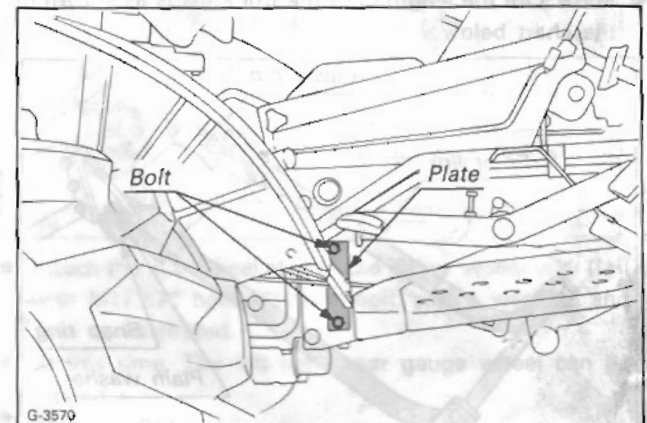
- (2) Attach the mid hanger brackets to the tractor with M10 bolts.



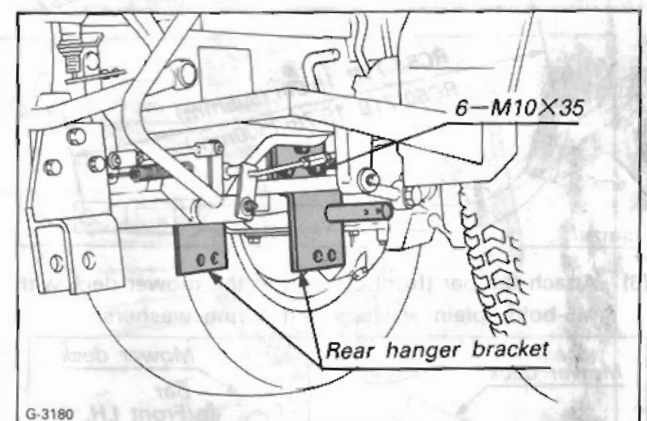
- (3) Attach the rod to the mid hanger brackets as illustrated.



- (4) Remove the plate from the clutch housing. (Right side)



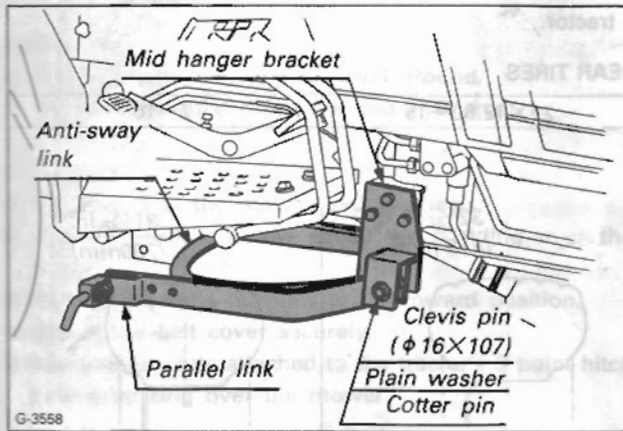
- (5) Attach the rear hanger brackets to the tractor with M10 bolts.



4.5 SETTING UP THE LINKS

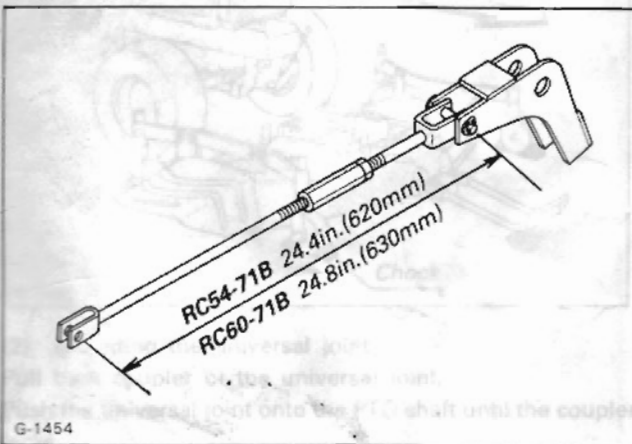
- Attach the parallel links and anti-sway link to the mid hanger brackets with clevis pins, plain washers and cotter pins.

(Right side)

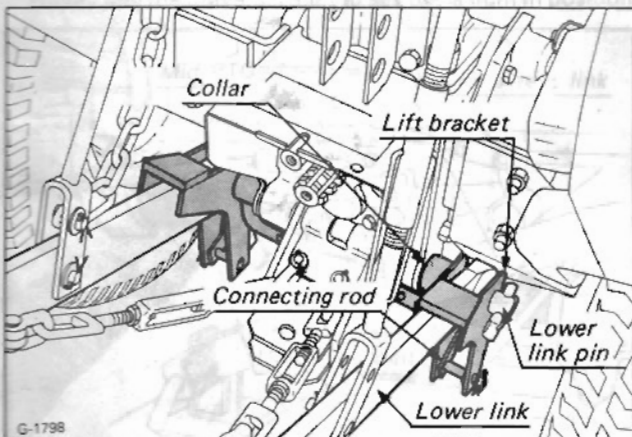


- Attach the lift brackets.

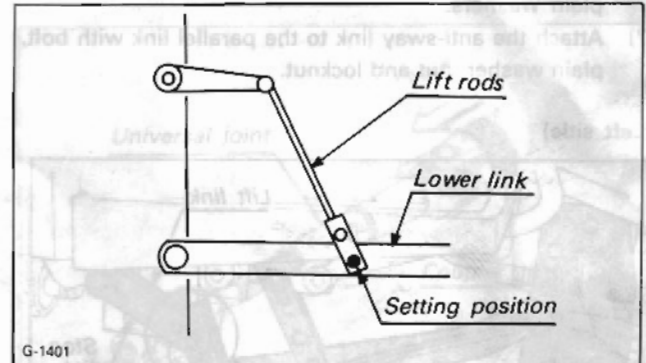
- Make sure the length of the mower connecting rod is as shown below.



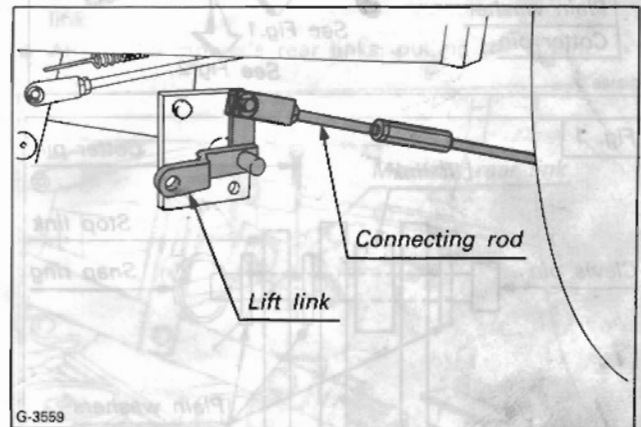
- Remove lower links from the tractor.
- Attach both collar, the lift brackets and lower links to the lower link pins as illustrated.



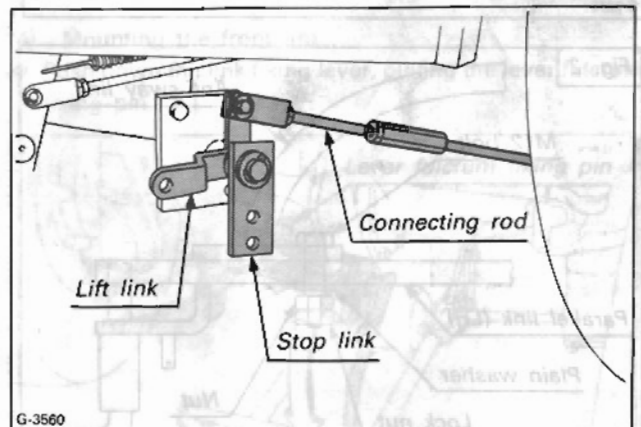
- Connect lift rods to the lower links and adjust the length of both lift rods equally with the turnbuckle of the right lift rod.



- Attach the lift links and connect the connecting rods to the lift links with clevis pins, plain washers and cotter pins.



- Attach the stop links to the mid hanger brackets with plain washers and cotter pins.

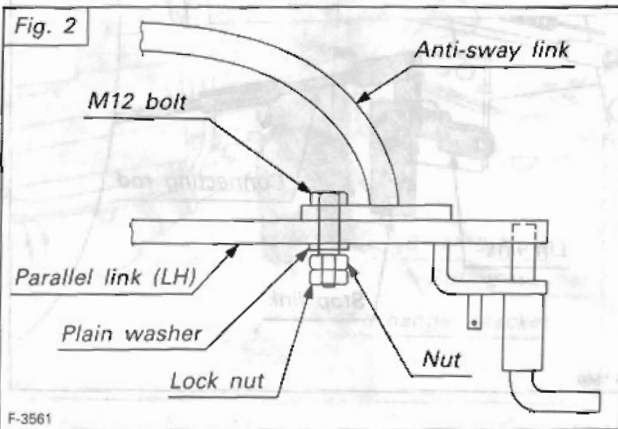
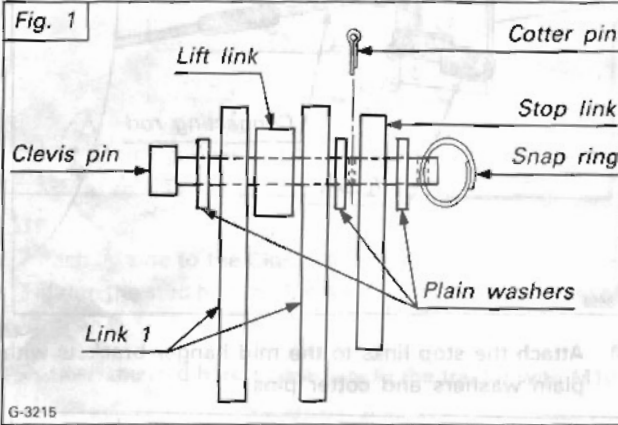
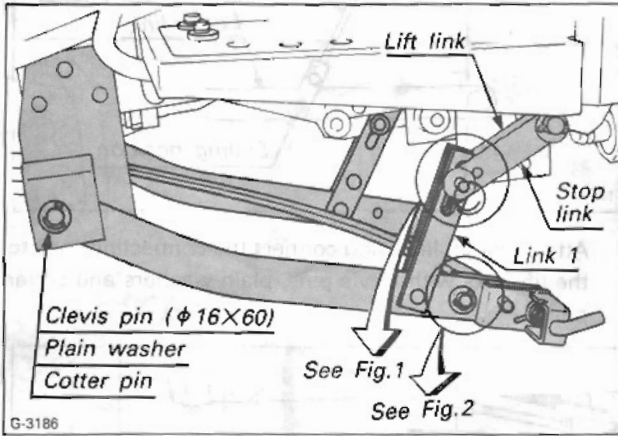


NOTE

- Attach the Connecting rods to the lift links. Then attach the stop links.

- (5) Attach the link 1 to the lift links with clevis pins and 2 plain washers.
- (6) Attach the stop links to the link 1 with snap rings and plain washers.
- (7) Attach the anti-sway link to the parallel link with bolt, plain washer, nut and locknut.

(Left side)



NOTE

- Tighten the two Nuts, to 7.9 to 9.2 kgf·m (57.1 ~ 66.5 ft·lbs).

4.6 MOUNTING THE TIRES TO THE TRACTOR

IMPORTANT

Adjust tire tread by referring to the figures below. For tires not discussed here, see the operator's manual for the tractor.

REAR TIRES

29X12.50-15	7-16
$32\frac{3}{32}$ in. (815 mm)	$31\frac{3}{32}$ in. (790mm)



5. MOUNTING TO THE TRACTOR

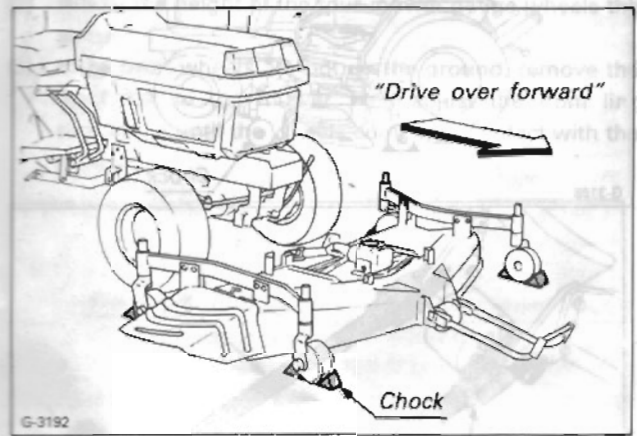
5.1 MOUNTING THE MOWER TO THE TRACTOR

IMPORTANT

- Proceed with matching on level ground.
- Remove the cover from the mid PTO shaft.

(1) Attaching the mower.

- Put chocks at the mower gauge wheels.
- Run the tractor at low speed when riding over the mower.
- Put the mower's rear link at its upward position.
- Attach the belt cover securely.
- Remove all parts attached to the tractor's 3 point hitch before backing over the mower.



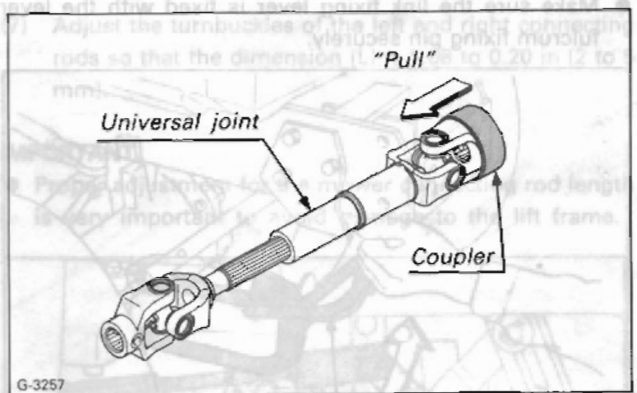
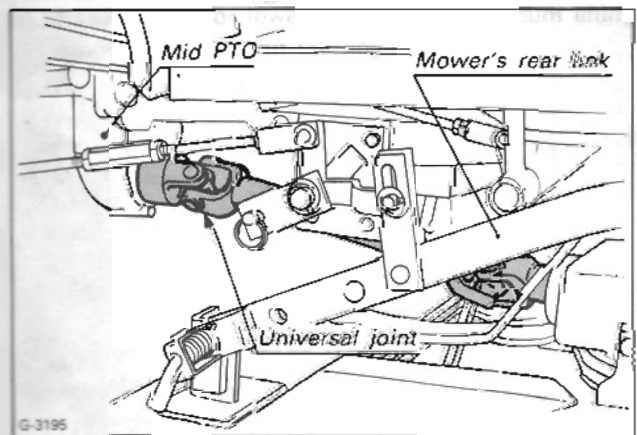
(2) Mounting the universal joint

Pull back coupler of the universal joint. Push the universal joint onto the PTO shaft until the coupler locks.

Slide the universal joint back and forward to make sure the universal joint is locked securely.

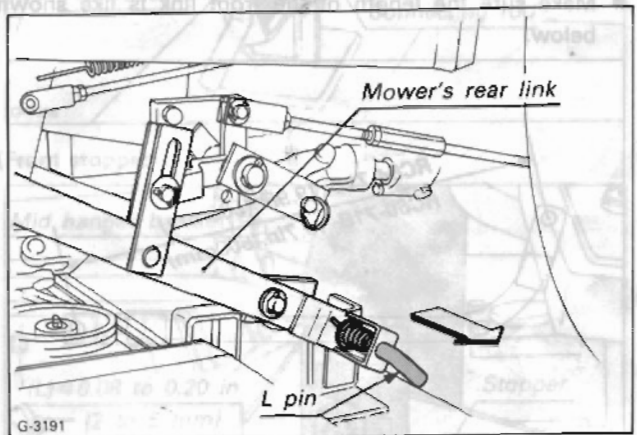
IMPORTANT

Finally pull the universal joint to see if it is tight in position.



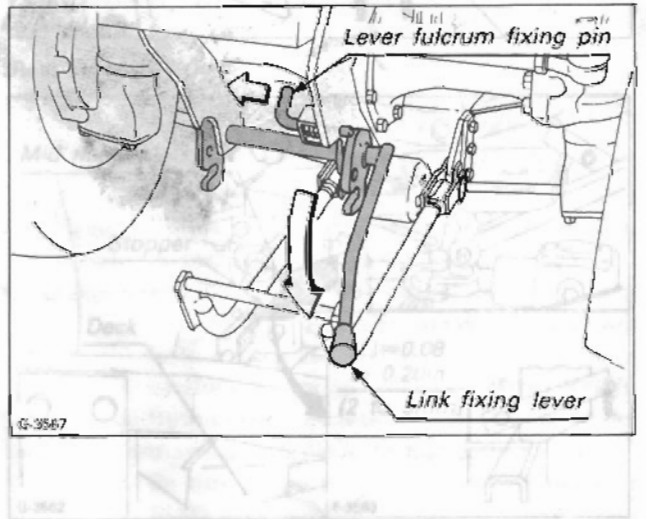
(3) Mounting the mower's rear link

- Push down the tractor's control lever to lower the mower link.
- Attach the mower's rear links, pulling the L pin.



(4) Mounting the front link.

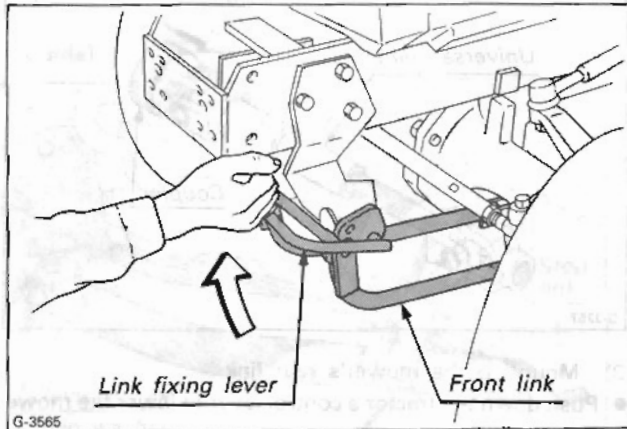
- Push down the link fixing lever, pulling the lever fulcrum fixing pin.



- Hook the front link to the lever fulcrum, and turn the link fixing lever.

NOTE

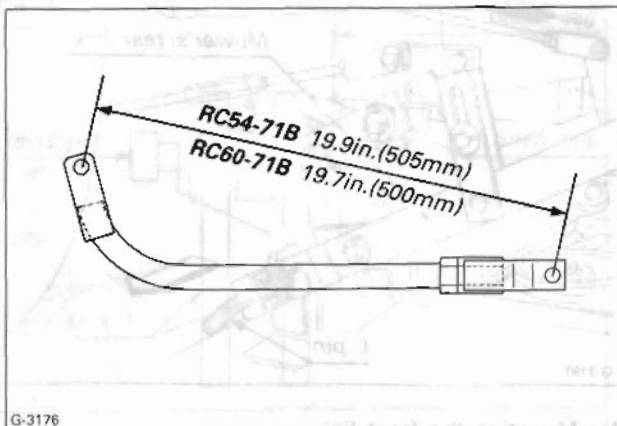
- Make sure the link fixing lever is fixed with the lever fulcrum fixing pin securely.



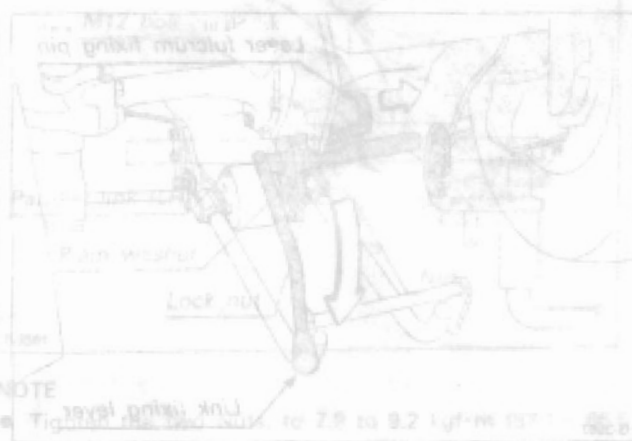
G-3565

NOTE

- Make sure the length of the front link is like shown below.



G-3176



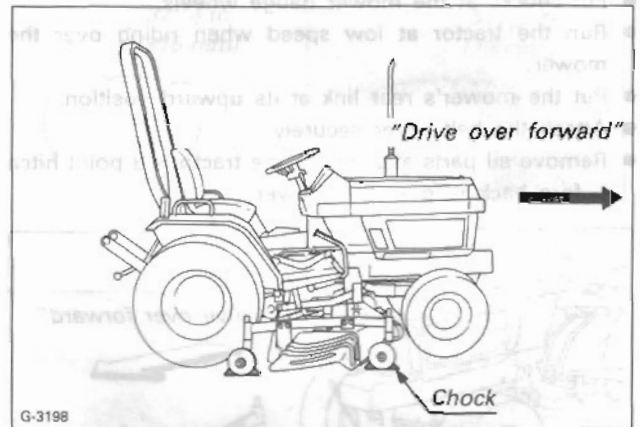
NOTE

- Tighten the nut to 2.9 to 3.2 lbf-ft (0.4 to 0.5 Nm).

5.2 REMOVAL OF THE MOWER

IMPORTANT

- (1) Block the gauge wheels of the mower deck with the chocks.
- (2) Run the engine at low speed for mower removal.
- (3) Remove all attachments attached to the tractor's 3 point hitch before moving the tractor forward for removal of the mower.
- (4) Take the opposite process of 5.1 (2) to (4) for mounting.



G-3198

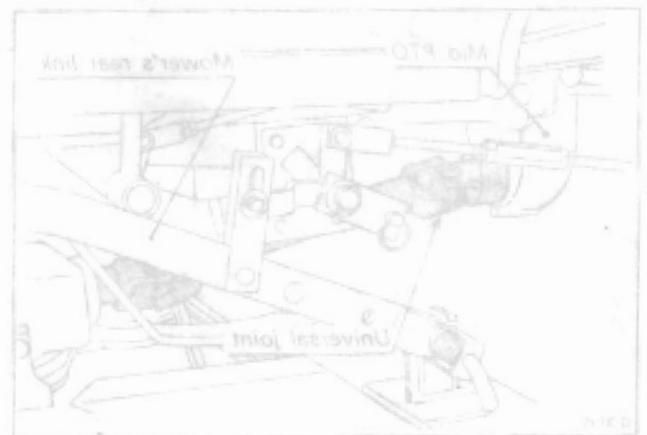
Slide the universal joint back and forward to make sure the universal joint is locked securely.

Push the universal joint onto the PTO shaft until the coupler Pull back coupler of the universal joint.

(2) Mounting the universal joint.

IMPORTANT

Finally pull the universal joint to see if it is tight in position.



G-3199

6. MOWER ADJUSTMENTS



CAUTION

- KEEP BYSTANDERS AND ANIMALS AWAY FROM THE WORKING AREA.

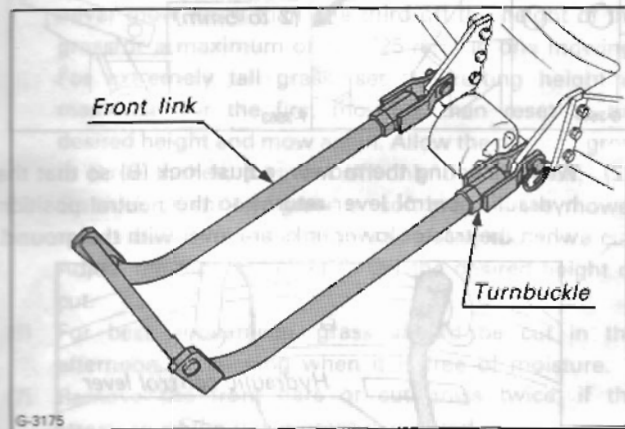
6.1 ADJUSTING THE FRONT LINK AND CONNECTING ROD



CAUTION

- (1) Before starting the engine, disengage the mid PTO and shift HI-LO gear lever into neutral.
- (2) Shut off the engine and allow the blades to stop before making adjustments.

- (1) Park the tractor on level ground with the mower touching the ground.
- (2) Adjust the height of the four mower gauge wheels the same.
- (3) If the front wheels are not on the ground, remove the front link to the mower. And adjust the front link turnbuckle until the wheels come into contact with the ground.

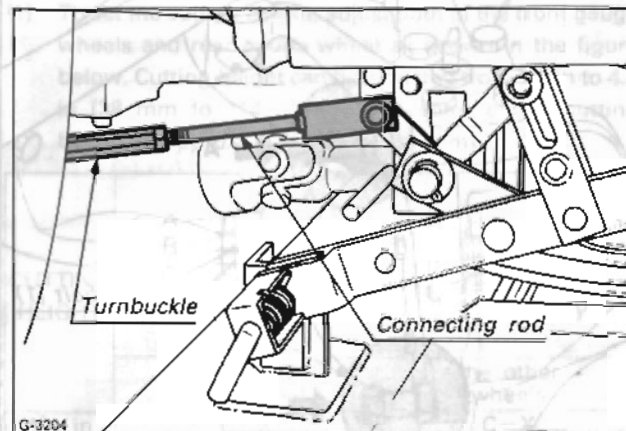


- (4) Attach the front link to the mower.
- (5) Start the engine.
- (6) Raise the tractor lower links to the maximum lifting position and shut off the engine.

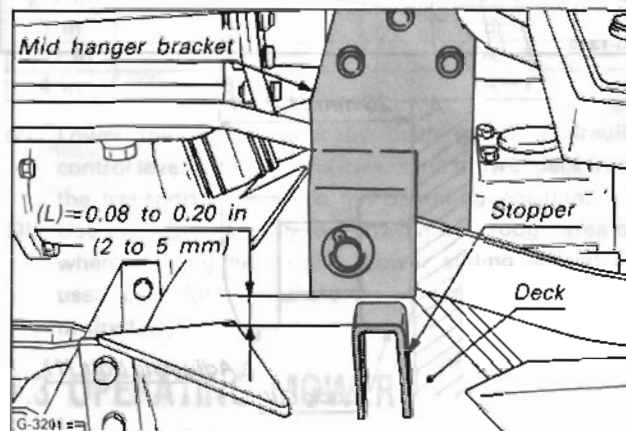
- (7) Adjust the turnbuckles of the left and right connecting rods so that the dimension (L) is 0.08 to 0.20 in (2 to 5 mm).

IMPORTANT

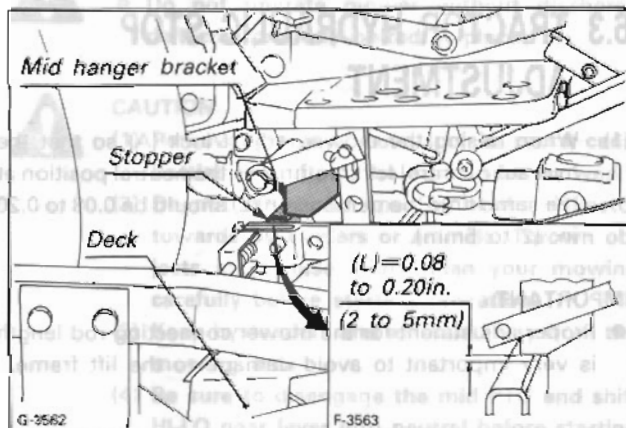
- Proper adjustment for the mower connecting rod length is very important to avoid damage to the lift frame.



(Front stopper)

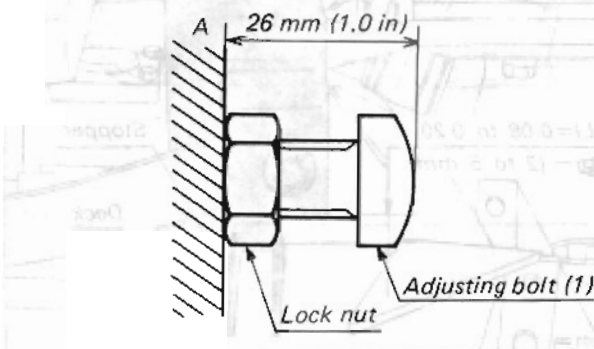
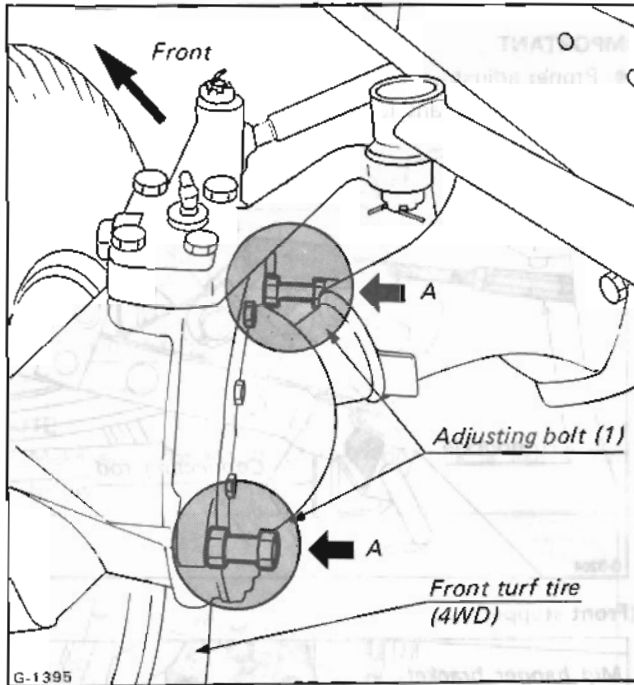


(Rear stopper)



6.2 STEERING WHEEL ANGLE ADJUSTMENT

Adjust the adjusting bolt (1) so that the length (A) should be 26mm (1.0 in.), then secure the adjusting bolts (1) with lock nut. (Adjusting bolts are included in the mower hardware).



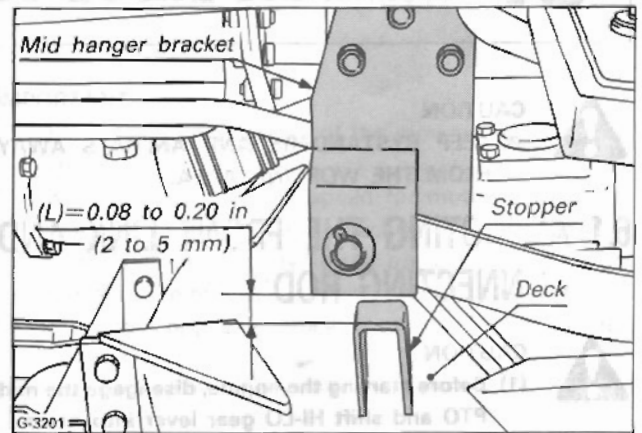
6.3 TRACTOR HYDRAULIC STOP ADJUSTMENT

- (1) When raising the mower, adjust lock (A) so that the hydraulic control lever returns to the neutral position at the same time the dimension (L) should be 0.08 to 0.20 in. (2 to 5mm).

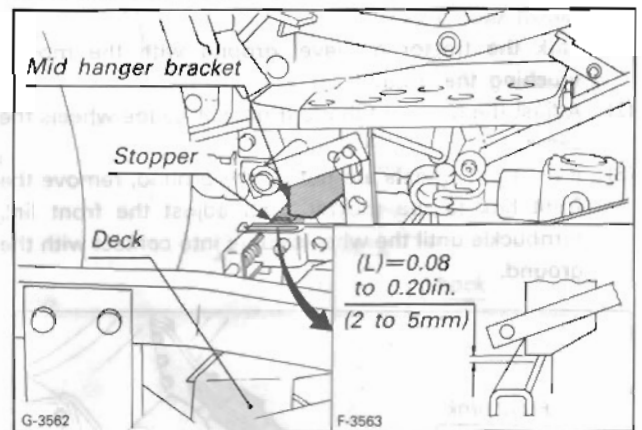
IMPORTANT

- Proper adjustment for the mower connecting rod length is very important to avoid damage to the lift frame.

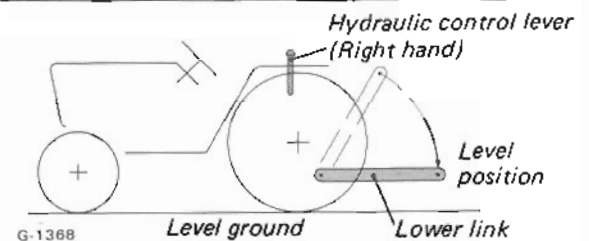
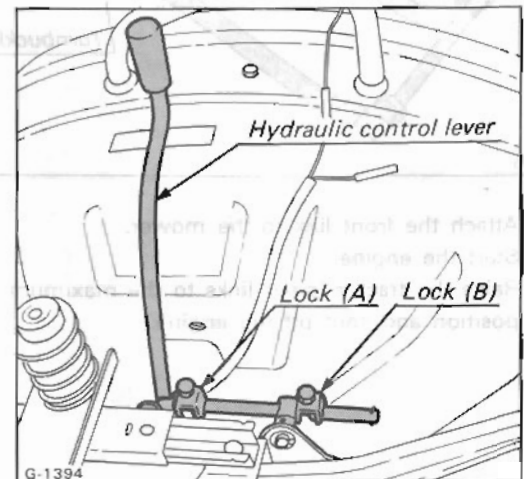
(Front stopper)



(Rear stopper)



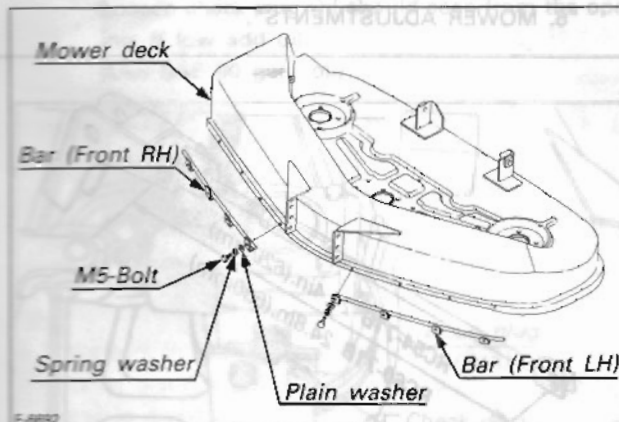
- (2) When lowering the mower, adjust lock (B) so that the hydraulic control lever returns to the neutral position when the tractor lower links are level with the ground.



7. OPERATION

7.1 MAKING THE MOST OF YOUR MOWER

- (1) When using your mower for the first time, choose a smooth level area and cut in straight and slightly overlapping strips.
- (2) The size and type of the area to be mowed will determine the proper mowing pattern. Take into account obstructions, such as trees, fences and buildings. To keep grass cuttings off fences, sidewalks, etc., it is advisable to go over the outside of the area to be mowed several times in a clockwise direction. To mow the area remaining, work in a counterclockwise direction so the cuttings are dispersed onto the previously cut area.
- (3) Always keep the left side of the mower toward trees, posts or other obstacles on the first trip around the obstacle.
- (4) Most lawns should be mowed to approximately 2 to 3 in (50 to 80 mm) high. Best results are obtained by cutting often and not too short. To keep a green lawn, never mow more than one third off the height of the grass or a maximum of 1 in (25 mm) in one mowing. For extremely tall grass, set the cutting height at maximum for the first mowing, then reset to the desired height and mow again. Allow the grass to grow to three inches, then cut off only the top inch.
- (5) On thick or springy grass or soft ground, the mower rollers may sink into the ground giving too low a cut. Adjust the cutting height to get the desired height of cut.
- (6) For best appearance, grass should be cut in the afternoon or evening when it is free of moisture.
- (7) Remove the front bars or cut grass twice, if the streaking of the uncut grass is occurred.



7.2 CUTTING HEIGHT



CAUTION

- For your own safety and for safety of persons nearby never operate mower in transport position.

- (1) To set the cutting height, adjust both of the front gauge wheels and rear gauge wheel as shown in the figure below. Cutting height can be adjusted from 1.5 in to 4.5 in (38 mm to 114 mm). The recommended cutting height is approximately 2 in (50 mm).

CUTTING HEIGHT	Left hand rear wheel	the other wheels
	1½ in	C-X
2 in	D-Y	C-Y
2½ in	B-X	B-X
3 in	C-Y	B-Y
3½ in	A-X	A-X
4 in	B-Y	A-Y

- (2) Lower the mower deck by pushing the hydraulic control lever forward. This lowers the mower deck from the transport position to the operating position.
- (3) Use the higher setting for mowing in a rough area or when mowing high grass. Lower setting should be used only for smooth lawns where short grass is desired.

7.3 OPERATING MOWER



DANGER

- Do not operate mower without discharge deflector properly bolted in place.



CAUTION

- (1) Remove foreign objects, such as rocks, cans, bottles, etc., from the area to be mowed.
- (2) Do not direct the opening of the deflector towards bystanders or animals. Thrown objects may cause injury. Plan your mowing carefully before starting operations.
- (3) Keep bystanders and animals away from the mowing area.
- (4) Be sure to disengage the mid PTO and shift HI-LO gear lever into neutral before starting the tractor engine.

- (1) Keep the engine running at full throttle for best results. Control ground speed by using the control pedal of the tractor.
- (2) Place the P.T.O. lever in the HIGH position.
- (3) During heavy duty use, operate the tractor at a slower ground speed or go over the area twice.
- (4) Keep the mower deck and gauge wheels in the transport position when the mower is not being used. Never operate mower in transport position.
- (5) The mower will not cut cleanly if the ground speed is too high or if the blade speed drops due to an overload.

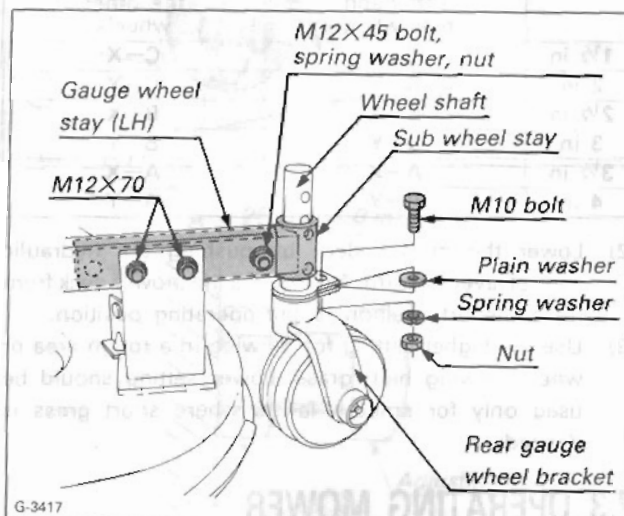
NOTE

- To prevent the engine from overheating, keep the radiator and radiator net clean.

7.4 GAUGE WHEEL STAY ADJUSTMENT

To prevent the rear gauge wheel (LH) from hitting obstacles in narrow spaces, install the sub wheel stay to the gauge wheel stay as illustrated.

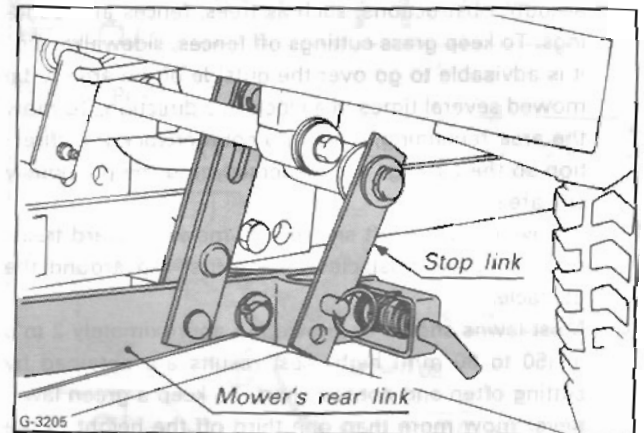
Then tighten the rear gauge wheel bracket and wheel shaft with M10 bolt, plain washer, spring washer and nut.

**7.5 USING 3 POINT HITCH IMPLEMENTS****CAUTION**

- When using rear PTO, remove the universal joint from the mid PTO.

To use 3 point hitch mounted implements when the mower is attached, use the following procedure.

- (1) Hold the mower deck at the raised position.
- (2) Attach the stop links to the mower's rear links as illustrated.

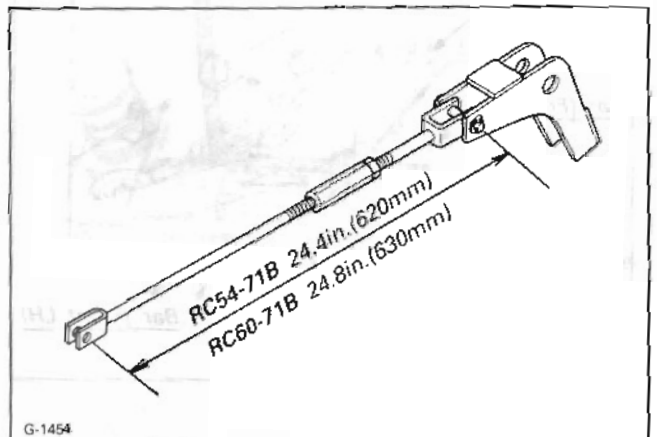
**IMPORTANT**

- DO NOT CHANGE THE LENGTH OF THE MOWER LIFT ROD.

- (3) Set the front gauge wheels and the rear gauge wheels in the highest position to get the maximum ground clearance.

NOTE

- Before operating the mower again,
 - (1) Make sure the length of the mower connecting rod as illustrated below and adjust lock (A) of the hydraulic control lever. [See page 12 (6.3)]
 - (2) Please refer to "5. MOUNTING TO THE TRACTOR" and "6. MOWER ADJUSTMENTS".



8. MAINTENANCE

8.1 MAINTENANCE CHECK LIST



CAUTION

- Stop engine and remove the key.

NO	Check Point	Used hours (Change or check every interval shown below)											(After purchase) 2 year	Reference page			
		daily check	50	100	150	200	250	300	350	400	450	500					
1	Anything unusual in previous day's operation	<input type="checkbox"/>															—
2	Oil leakage check	<input type="checkbox"/>															15
3	Make sure blade capscrews are tight.	<input type="checkbox"/>															17
4	Blade wear check	<input type="checkbox"/>															16
5	All hardware check	<input type="checkbox"/>															—
6	Make sure all pins are in place.	<input type="checkbox"/>															—
7	Mower deck cleaning	<input type="checkbox"/>															—
8	Gear box oil change		<input checked="" type="checkbox"/>				<input checked="" type="checkbox"/>			<input checked="" type="checkbox"/>				<input checked="" type="checkbox"/>			15
9	Gear box oil check	<input type="checkbox"/>															15
10	Greasing																
	• Front and rear gauge wheels		<input type="checkbox"/>	<input type="checkbox"/>	<input type="checkbox"/>	<input type="checkbox"/>	<input type="checkbox"/>	<input type="checkbox"/>	<input type="checkbox"/>	<input type="checkbox"/>	<input type="checkbox"/>	<input type="checkbox"/>	<input type="checkbox"/>	<input type="checkbox"/>	<input type="checkbox"/>	<input type="checkbox"/>	16
	• Universal joint																
	• Three spindle shafts	<input type="checkbox"/>															15,16
	• Belt tension pulley																
	• Belt tension pivot																
11	Gear box oil seal change													<input type="checkbox"/>			15

Note: The jobs indicated by must be done after first 50 hrs. and every 150 hrs. thereafter.

8.2 CHECK AND MAINTENANCE

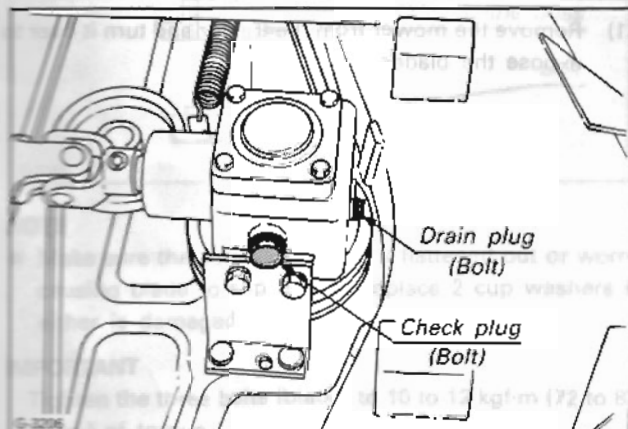


CAUTION

- Stop engine and remove the key.

■ Gear box oil

- To check the oil level, remove the check plug (bolt).
 - Place mower on level surface.
 - Loosen check plug-Oil should seep from the opening. If low add oil.
 - (Use SAE 90 gear oil)

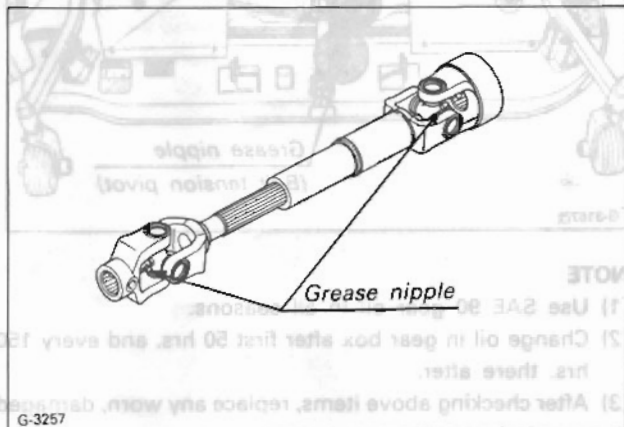


- Change gear oil, remove drain plug and drain oil.
- Refill gear case.
 - 0.4 ℓ (0.42 qts.)

■ Greasing

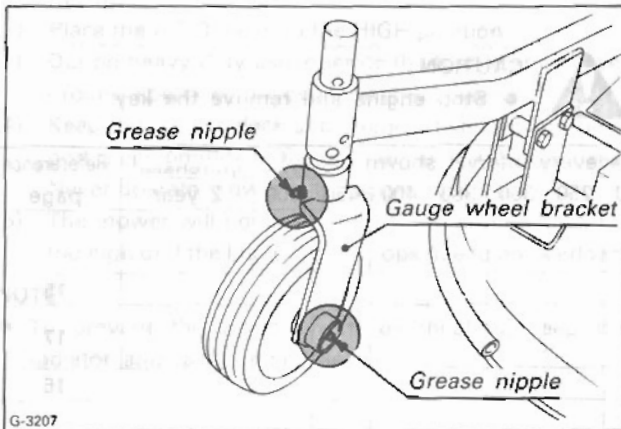
(Use SAE multipurpose grease.)

- Universal joint.

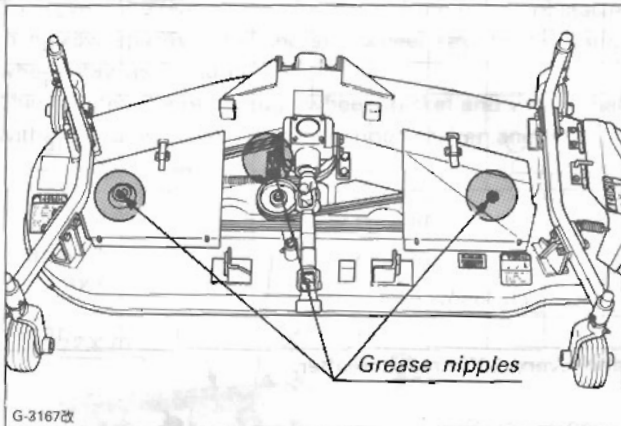


G-3257

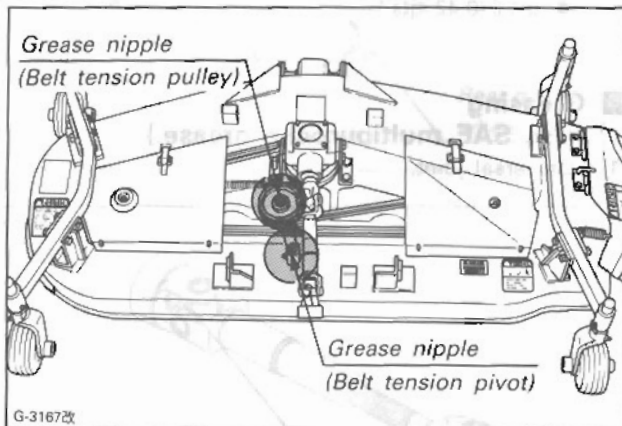
- (2) Front and rear gauge wheel brackets.
Front and rear gauge wheels.



- (3) Three spindle shafts.



- (4) Belt tension pivot and tension pulley.



NOTE

- (1) Use SAE 90 gear oil in all seasons.
- (2) Change oil in gear box after first 50 hrs. and every 150 hrs. there after.
- (3) After checking above items, replace any worn, damaged or missing parts.
- (4) Dry deck completely before storage, or belt pulley damage can result.

8.3 BLADE REPLACEMENT

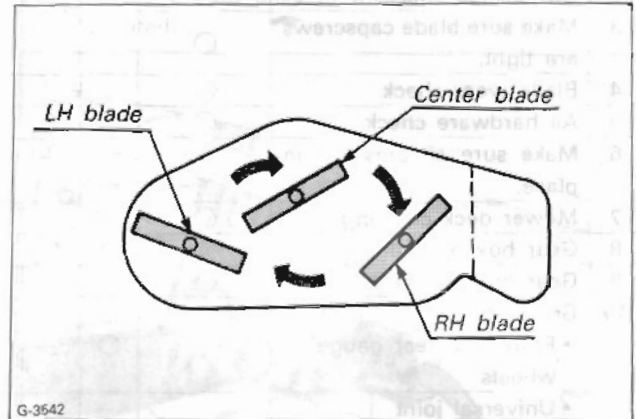


CAUTION

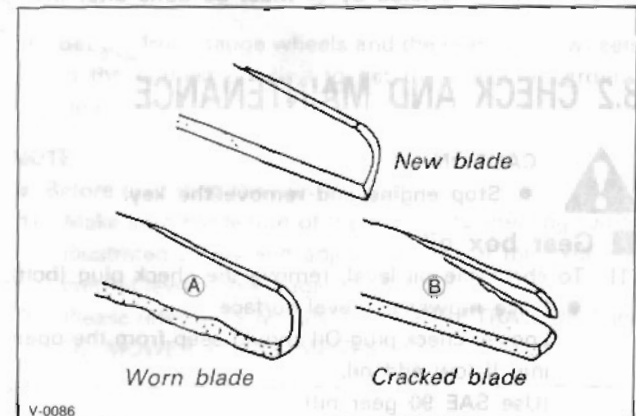
- Always handle the blades with care to avoid injury.

IMPORTANT

- The bolt (blade) has R.H. threads. Turn it counterclockwise to loosen.
- To prolong the service life of the blade, reposition its sections each other as shown in the figure below.

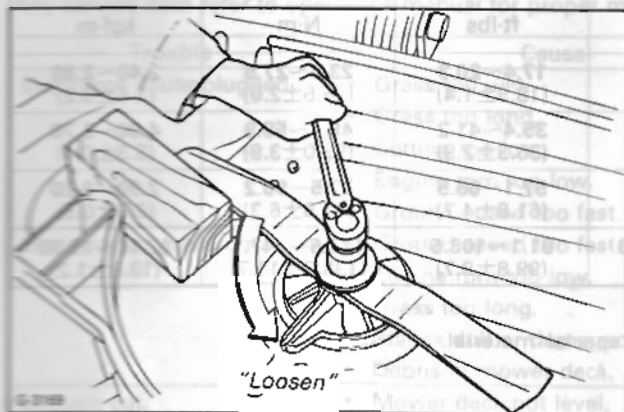


The blade cutting edges should be kept sharp at all times. Sharpen the cutting edges, if they resemble the blade in figure A. Replace the blades if they appear similar to the blade as shown in figure B.



- (1) Remove the mower from the tractor and turn it over to expose the blades.

- (2) Wedge a block of wood between the blade and mower housing or install box wrench over pulley nut to prevent spindle from rotating while removing blade bolts, then loosen the blade bolt as illustrated.

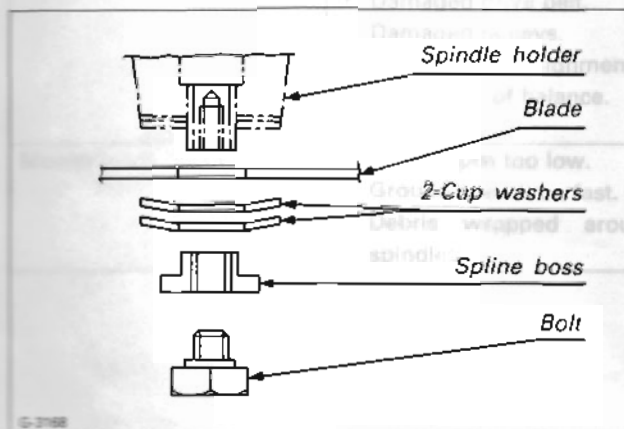


CAUTION

- Wear heavy gloves when removing blades.

NOTE

- Use the proper metric size box or socket wrench to tighten or loosen the blade mounting bolt.
- (3) To sharpen the blades, clamp the blade securely in a vise. Use a large mill file and file along the original bevel until sharp.
- (4) To check the blade for balance, place a small rod through the center hole. The blade should balance on this rod. If the blade is not balanced, file the heavy side of the blade until balance is achieved.
- (5) Pass the spline boss through the blade and 2 cup washers, and tighten the bolt.



NOTE

- Make sure the cup washer is not flattened out or worn, causing blade to slip easily. Replace 2 cup washers if either is damaged.

IMPORTANT

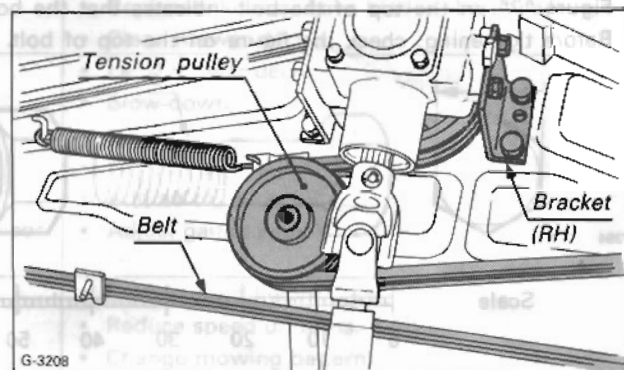
Tighten the three bolts (blade) to 10 to 12 kgf-m (72 to 87 ft-lbs.) of torque.

8.4 BELT REPLACEMENT

- (1) Remove the mower from the tractor.
- (2) Remove the left and right hand shield from the mower deck.
- (3) Clean around the gear box.
- (4) Remove the right hand bracket which mounts the gear box to the mower deck.
- (5) Remove the belt from the tension pulley. Slip the belt over the top of the gear box.
- (6) To install a new belt, reverse the above procedure.

NOTE

- Tighten bracket bolts securely.



G-3208

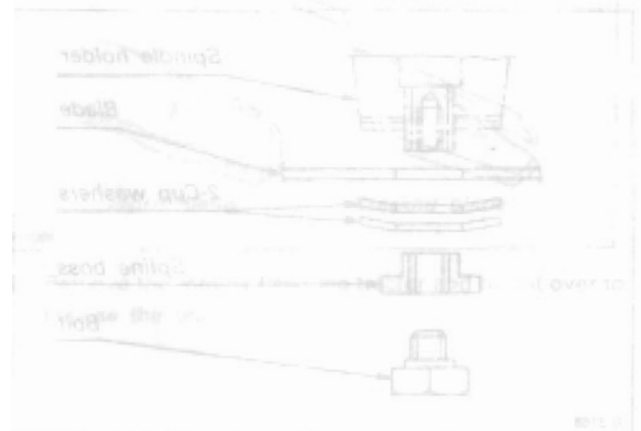
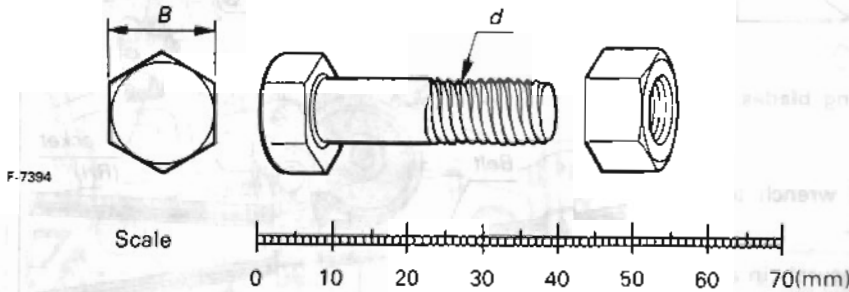
- Adjust gauge wheels and antiscalp rollers.
- Adjust gauge wheels and antiscalp rollers.
- Replace blade(s).
- Unplug and clean mower deck.
- Clean pulleys.
- Replace belt.
- Clean mower deck and pulleys.
- Replace drive belt.
- Replace pulleys.
- See your KUBOTA dealer.
- Have blades balanced.
- Mow at full throttle, check and reset engine rpm.
- Slow down.
- Clean mower.

8.5 TIGHTENING TORQUE CHART

Thread Size d (mm)	Hexa-Bolt Head size B (mm)	No mark			7T		
		ft-lbs	N·m	kgf·m	ft-lbs	N·m	kgf·m
M8	12 or 13	13.0~15.2 (14.1±1.1)	17.7~20.6 (19.2±1.4)	1.80~2.10 (2.0±0.1)	17.4~20.3 (18.9±1.4)	23.5~27.5 (25.5±2.0)	2.40~2.80 (2.6±0.2)
M10	14 or 17	28.9~33.3 (31.1±2.2)	39.2~45.1 (42.2±2.9)	4.00~4.60 (4.3±0.3)	35.4~41.2 (38.3±2.9)	48.1~55.9 (52.0±3.9)	4.90~5.70 (5.3±0.4)
M12	17 or 19	46.3~53.5 (49.9±3.6)	62.8~72.6 (67.7±4.9)	6.40~7.40 (6.9±0.5)	57.1~66.5 (61.8±4.7)	77.5~90.2 (83.9±6.3)	7.90~9.20 (8.6±0.6)
M14	19 or 22	79.6~92.6 (86.1±6.5)	107.9~125.5 (116.7±8.8)	11.00~12.80 (11.9±0.9)	91.1~108.5 (99.8±8.7)	123.6~147.1 (135.3±11.7)	12.60~15.00 (13.8±1.2)

NOTE

- Figure "7" on the top of the bolt indicates that the bolt is of special material.
- Before tightening, check the figure on the top of bolt.



NOTE

- Make sure the cup washer is not flattened out or worn causing blade to slip easily. (Region 3 cup washer) that is damaged.

IMPORTANT

- Tighten the bolts (bush) to 10 to 13 kgf·m (12 to 8

9. TROUBLESHOOTING

Any service item refer to operator's manual for proper maintenance procedure.

Trouble	Cause	Remedy
Discharge chute plugged.	<ul style="list-style-type: none"> • Grass too wet. • Grass too long. • Cutting too low. • Engine rpm too low. • Ground speed too fast. 	<ul style="list-style-type: none"> • Wait for grass to dry. • Raise cutting height and cut grass twice. • Raise cutting height. • Mow at full throttle. • Slow down.
Streaking of grass uncut.	<ul style="list-style-type: none"> • Ground speed too fast. • Engine rpm too low. • Grass too long. • Blades dull or damaged. • Debris in mower deck. 	<ul style="list-style-type: none"> • Slow down. • Mow at full throttle, check and reset engine rpm. • Remove front bars and cut grass twice. • Replace blades or have blades sharpened. • Clean mower deck.
Uneven cut.	<ul style="list-style-type: none"> • Mower deck not level. • Ground speed too fast. • Blades dull. • Blades worn. • Low tire inflation. • Gauge wheels not adjusted correctly. 	<ul style="list-style-type: none"> • Level mower deck. • Slow-down. • Have blades sharpened. • Replace blades. • Add air to correct. • Adjust gauge wheels.
Blades scalping grass.	<ul style="list-style-type: none"> • Cutting height too low. • Turning speed too fast. • Ridges in terrain. • Rough or uneven terrain. • Gauge wheels not adjusted correctly. • Bent blade(s). 	<ul style="list-style-type: none"> • Raise cutting height. • Reduce speed on turns. • Change mowing pattern. • Adjust gauge wheels and antiscalp rollers. • Adjust gauge wheels and antiscalp rollers. • Replace blade(s).
Belt slipping.	<ul style="list-style-type: none"> • Mower deck plugged. • Debris in pulleys. • Worn belt. 	<ul style="list-style-type: none"> • Unplug and clean mower deck. • Clean pulleys. • Replace belt.
Excessive vibration.	<ul style="list-style-type: none"> • Debris on mower deck or in pulleys. • Damaged drive belt. • Damaged pulleys. • Pulleys out of alignment. • Blades out of balance. 	<ul style="list-style-type: none"> • Clean mower deck and pulleys. • Replace drive belt. • Replace pulleys. • See your KUBOTA dealer. • Have blades balanced.
Mower loads down tractor.	<ul style="list-style-type: none"> • Engine rpm too low. • Ground speed too fast. • Debris wrapped around mower spindles. 	<ul style="list-style-type: none"> • Mow at full throttle, check and reset engine rpm. • Slow down. • Clean mower.

10. LONG-TERM STORAGE

10.1 WINTER STORAGE

On completion of the grass cutting season you are advised to carry out the following on the mower cutting deck.

- (1) Remove the mower deck covers.
- (2) Slacken off the drive belt tensioner and remove the drive belt.
- (3) Clean all pulleys and wipe with a dry cloth.
- (4) Clean all grass and dirt from the mower deck top.

NOTE

- If you refit the drive belt do not adjust the tensioner to tighten the drive belt. Leave the drive belt slack. Re-adjust prior to the next grass cutting season.

<p>Adjust gauge wheels.</p> <p>Adjust gauge wheels and anti-slip rollers.</p> <p>Replace blades.</p> <p>Replace drive belt.</p> <p>Replace pulleys.</p> <p>Replace drive belt.</p> <p>Have blades balanced.</p> <p>See your KUBOTA dealer.</p> <p>Replace pulleys.</p> <p>Replace drive belt.</p>	<p>Blades scaping grass.</p> <p>Cutting height too low.</p> <p>Turning speed too fast.</p> <p>Ridges in terrain.</p> <p>Rough or uneven terrain.</p> <p>Gauge wheels not adjusted correctly.</p> <p>Belt (blades).</p> <p>Mower deck dugged.</p> <p>Debris in pulleys.</p> <p>Worn belt.</p> <p>Debris on mower deck or in pulleys.</p> <p>Damaged drive belt.</p> <p>Damaged pulleys.</p> <p>Pulleys out of alignment.</p> <p>Blades out of balance.</p>
<p>Adjust gauge wheels.</p> <p>Adjust gauge wheels and anti-slip rollers.</p> <p>Replace blades.</p> <p>Replace drive belt.</p> <p>Replace pulleys.</p> <p>Replace drive belt.</p> <p>Have blades balanced.</p> <p>See your KUBOTA dealer.</p> <p>Replace pulleys.</p> <p>Replace drive belt.</p>	<p>Uneven cut.</p> <p>Mower deck not level.</p> <p>Ground speed too fast.</p> <p>Blades dull.</p> <p>Blades worn.</p> <p>Low tire inflation.</p> <p>Gauge wheels not adjusted correctly.</p>
<p>Adjust gauge wheels.</p> <p>Adjust gauge wheels and anti-slip rollers.</p> <p>Replace blades.</p> <p>Replace drive belt.</p> <p>Replace pulleys.</p> <p>Replace drive belt.</p> <p>Have blades balanced.</p> <p>See your KUBOTA dealer.</p> <p>Replace pulleys.</p> <p>Replace drive belt.</p>	<p>Blades scaping grass.</p> <p>Cutting height too low.</p> <p>Turning speed too fast.</p> <p>Ridges in terrain.</p> <p>Rough or uneven terrain.</p> <p>Gauge wheels not adjusted correctly.</p> <p>Belt (blades).</p> <p>Mower deck dugged.</p> <p>Debris in pulleys.</p> <p>Worn belt.</p> <p>Debris on mower deck or in pulleys.</p> <p>Damaged drive belt.</p> <p>Damaged pulleys.</p> <p>Pulleys out of alignment.</p> <p>Blades out of balance.</p>
<p>Adjust gauge wheels.</p> <p>Adjust gauge wheels and anti-slip rollers.</p> <p>Replace blades.</p> <p>Replace drive belt.</p> <p>Replace pulleys.</p> <p>Replace drive belt.</p> <p>Have blades balanced.</p> <p>See your KUBOTA dealer.</p> <p>Replace pulleys.</p> <p>Replace drive belt.</p>	<p>Blades scaping grass.</p> <p>Cutting height too low.</p> <p>Turning speed too fast.</p> <p>Ridges in terrain.</p> <p>Rough or uneven terrain.</p> <p>Gauge wheels not adjusted correctly.</p> <p>Belt (blades).</p> <p>Mower deck dugged.</p> <p>Debris in pulleys.</p> <p>Worn belt.</p> <p>Debris on mower deck or in pulleys.</p> <p>Damaged drive belt.</p> <p>Damaged pulleys.</p> <p>Pulleys out of alignment.</p> <p>Blades out of balance.</p>
<p>Adjust gauge wheels.</p> <p>Adjust gauge wheels and anti-slip rollers.</p> <p>Replace blades.</p> <p>Replace drive belt.</p> <p>Replace pulleys.</p> <p>Replace drive belt.</p> <p>Have blades balanced.</p> <p>See your KUBOTA dealer.</p> <p>Replace pulleys.</p> <p>Replace drive belt.</p>	<p>Blades scaping grass.</p> <p>Cutting height too low.</p> <p>Turning speed too fast.</p> <p>Ridges in terrain.</p> <p>Rough or uneven terrain.</p> <p>Gauge wheels not adjusted correctly.</p> <p>Belt (blades).</p> <p>Mower deck dugged.</p> <p>Debris in pulleys.</p> <p>Worn belt.</p> <p>Debris on mower deck or in pulleys.</p> <p>Damaged drive belt.</p> <p>Damaged pulleys.</p> <p>Pulleys out of alignment.</p> <p>Blades out of balance.</p>
<p>Adjust gauge wheels.</p> <p>Adjust gauge wheels and anti-slip rollers.</p> <p>Replace blades.</p> <p>Replace drive belt.</p> <p>Replace pulleys.</p> <p>Replace drive belt.</p> <p>Have blades balanced.</p> <p>See your KUBOTA dealer.</p> <p>Replace pulleys.</p> <p>Replace drive belt.</p>	<p>Blades scaping grass.</p> <p>Cutting height too low.</p> <p>Turning speed too fast.</p> <p>Ridges in terrain.</p> <p>Rough or uneven terrain.</p> <p>Gauge wheels not adjusted correctly.</p> <p>Belt (blades).</p> <p>Mower deck dugged.</p> <p>Debris in pulleys.</p> <p>Worn belt.</p> <p>Debris on mower deck or in pulleys.</p> <p>Damaged drive belt.</p> <p>Damaged pulleys.</p> <p>Pulleys out of alignment.</p> <p>Blades out of balance.</p>
<p>Adjust gauge wheels.</p> <p>Adjust gauge wheels and anti-slip rollers.</p> <p>Replace blades.</p> <p>Replace drive belt.</p> <p>Replace pulleys.</p> <p>Replace drive belt.</p> <p>Have blades balanced.</p> <p>See your KUBOTA dealer.</p> <p>Replace pulleys.</p> <p>Replace drive belt.</p>	<p>Blades scaping grass.</p> <p>Cutting height too low.</p> <p>Turning speed too fast.</p> <p>Ridges in terrain.</p> <p>Rough or uneven terrain.</p> <p>Gauge wheels not adjusted correctly.</p> <p>Belt (blades).</p> <p>Mower deck dugged.</p> <p>Debris in pulleys.</p> <p>Worn belt.</p> <p>Debris on mower deck or in pulleys.</p> <p>Damaged drive belt.</p> <p>Damaged pulleys.</p> <p>Pulleys out of alignment.</p> <p>Blades out of balance.</p>
<p>Adjust gauge wheels.</p> <p>Adjust gauge wheels and anti-slip rollers.</p> <p>Replace blades.</p> <p>Replace drive belt.</p> <p>Replace pulleys.</p> <p>Replace drive belt.</p> <p>Have blades balanced.</p> <p>See your KUBOTA dealer.</p> <p>Replace pulleys.</p> <p>Replace drive belt.</p>	<p>Blades scaping grass.</p> <p>Cutting height too low.</p> <p>Turning speed too fast.</p> <p>Ridges in terrain.</p> <p>Rough or uneven terrain.</p> <p>Gauge wheels not adjusted correctly.</p> <p>Belt (blades).</p> <p>Mower deck dugged.</p> <p>Debris in pulleys.</p> <p>Worn belt.</p> <p>Debris on mower deck or in pulleys.</p> <p>Damaged drive belt.</p> <p>Damaged pulleys.</p> <p>Pulleys out of alignment.</p> <p>Blades out of balance.</p>
<p>Adjust gauge wheels.</p> <p>Adjust gauge wheels and anti-slip rollers.</p> <p>Replace blades.</p> <p>Replace drive belt.</p> <p>Replace pulleys.</p> <p>Replace drive belt.</p> <p>Have blades balanced.</p> <p>See your KUBOTA dealer.</p> <p>Replace pulleys.</p> <p>Replace drive belt.</p>	<p>Blades scaping grass.</p> <p>Cutting height too low.</p> <p>Turning speed too fast.</p> <p>Ridges in terrain.</p> <p>Rough or uneven terrain.</p> <p>Gauge wheels not adjusted correctly.</p> <p>Belt (blades).</p> <p>Mower deck dugged.</p> <p>Debris in pulleys.</p> <p>Worn belt.</p> <p>Debris on mower deck or in pulleys.</p> <p>Damaged drive belt.</p> <p>Damaged pulleys.</p> <p>Pulleys out of alignment.</p> <p>Blades out of balance.</p>
<p>Adjust gauge wheels.</p> <p>Adjust gauge wheels and anti-slip rollers.</p> <p>Replace blades.</p> <p>Replace drive belt.</p> <p>Replace pulleys.</p> <p>Replace drive belt.</p> <p>Have blades balanced.</p> <p>See your KUBOTA dealer.</p> <p>Replace pulleys.</p> <p>Replace drive belt.</p>	<p>Blades scaping grass.</p> <p>Cutting height too low.</p> <p>Turning speed too fast.</p> <p>Ridges in terrain.</p> <p>Rough or uneven terrain.</p> <p>Gauge wheels not adjusted correctly.</p> <p>Belt (blades).</p> <p>Mower deck dugged.</p> <p>Debris in pulleys.</p> <p>Worn belt.</p> <p>Debris on mower deck or in pulleys.</p> <p>Damaged drive belt.</p> <p>Damaged pulleys.</p> <p>Pulleys out of alignment.</p> <p>Blades out of balance.</p>
<p>Adjust gauge wheels.</p> <p>Adjust gauge wheels and anti-slip rollers.</p> <p>Replace blades.</p> <p>Replace drive belt.</p> <p>Replace pulleys.</p> <p>Replace drive belt.</p> <p>Have blades balanced.</p> <p>See your KUBOTA dealer.</p> <p>Replace pulleys.</p> <p>Replace drive belt.</p>	<p>Blades scaping grass.</p> <p>Cutting height too low.</p> <p>Turning speed too fast.</p> <p>Ridges in terrain.</p> <p>Rough or uneven terrain.</p> <p>Gauge wheels not adjusted correctly.</p> <p>Belt (blades).</p> <p>Mower deck dugged.</p> <p>Debris in pulleys.</p> <p>Worn belt.</p> <p>Debris on mower deck or in pulleys.</p> <p>Damaged drive belt.</p> <p>Damaged pulleys.</p> <p>Pulleys out of alignment.</p> <p>Blades out of balance.</p>

KUBOTA

U S A	KUBOTA TRACTOR CORPORATION 3401 Del Amo Blvd. Torrance CA 90503 U S A Telephone (310)370-3370
	Western Division 6665 E. Hardaway Rd., Stockton, CA 95215 Telephone (209)931-5051
	Central Division 13780 Benchmark Drive Farmers Branch, TX 75234 Telephone (214)241-5900
	Northern Division 438 McCormick Blvd., Columbus, OH 43213 Telephone (614)868-1278
	Southeast Division 1025 Northbrook Parkway, Suwanee, GA 30174 Telephone (404)995-8855
	Engine Division 1300 Remington Road, Suite K Schaumburg, IL 60173 Telephone (708)884-0212
Canada	KUBOTA CANADA LTD. 1495 Denison Street, Markham, Ontario, L3R 5H1, Canada Telephone (416)475-1090
	Richmond Distribution Center 2620 Viscount Way, Richmond, B.C. V6V 1N1 Telephone (604)270-9286
	Drummondville Distribution Center 5705 Place Kubota, Grantham Ouest (Drummondville), Quebec, J2B 6V4 Telephone (819)478-7151
France	S.A. KUBOTA EUROPE 19-25, rue Jules Verdecruysse BP88-Z 1, 95101 Argenteuil Cedex, France
Germany	KUBOTA (DEUTSCHLAND) GmbH Senefelder Str. 3-5 63110 Rodgau / Nieder-Roden, Germany
U K	KUBOTA (U.K.) LTD. Dormer Road, Thame, Oxfordshire, OX9 3UN, U K
Australia	KUBOTA TRACTOR (AUSTRALIA) PTY., LTD. 9-23 King William Street, Broadmeadows, Victoria 3047 Australia
Malaysia	KUBOTA AGRICULTURAL MACHINERY SON. BHD. Lot 14A, Jalan Perusahaan 4, Batu Caves Industrial Estate, 68100 Batu Caves, Selangor, Malaysia
Philippines	KUBOTA AGRI-MACHINERY PHILIPPINES, INC. 1031 Epifanio De Los Santos Ave (EDSA) Quezon City, Metro-Manila, Philippines
Taiwan	SHIN TAIWAN AGRICULTURAL MACHINERY CO., LTD. 16, Fengping 2nd Road, Tainiao Shiang Kaohsiung Hsien, 82107, Taiwan R O C
Brazil	KUBOTA BRASIL LTDA. AV. Fundades De Oliveira 900, Piraporinha-Diadema, São Paulo, Brazil
Iran	IRAN KUBOTA INDUSTRIAL WORKS, LTD. Moghanizadeh Ave. No 82, Alimoseo St., Teheran, Iran
Indonesia	P.T. KUBOTA INDONESIA JL. Setiabudi 279, Semarang, Indonesia
Thailand	THE SIAM KUBOTA INDUSTRY CO., LTD. 1 Siam Cement Road, Bangkuae, Bangkok 10800, Thailand
Egypt	KUBOTA Corporation CAIRO LIAISON OFFICE 12th Floor, Nile Tower Bldg 21-23 Ghiza Street, Guiza, Egypt
Japan	KUBOTA Corporation Farm & Industrial Machinery International Operations Headquarters 2-47, Shikitsuhigashi 1-chome, Naniwa-ku, Osaka 556 Japan

英語

Code No. 76518-7111-6